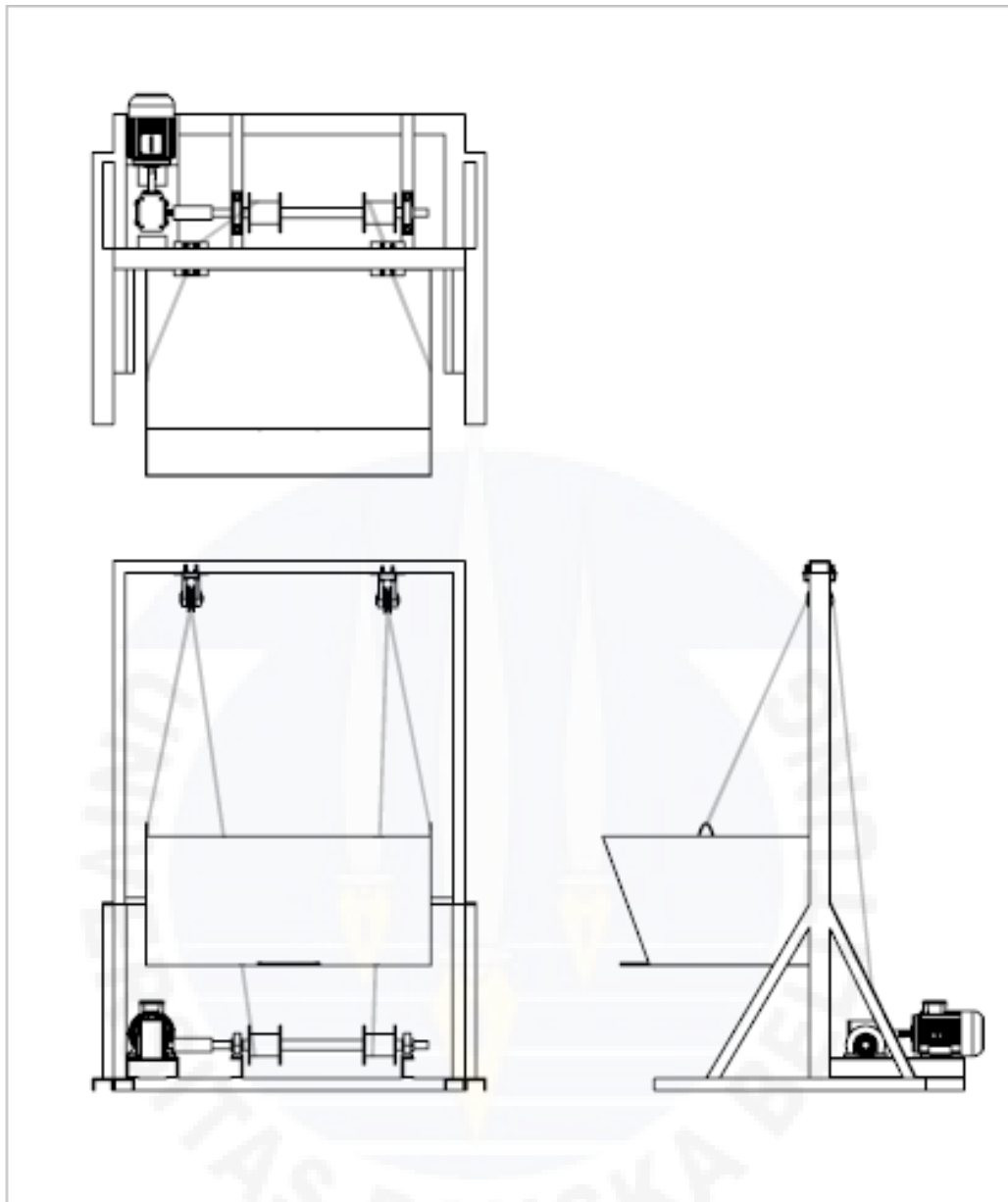


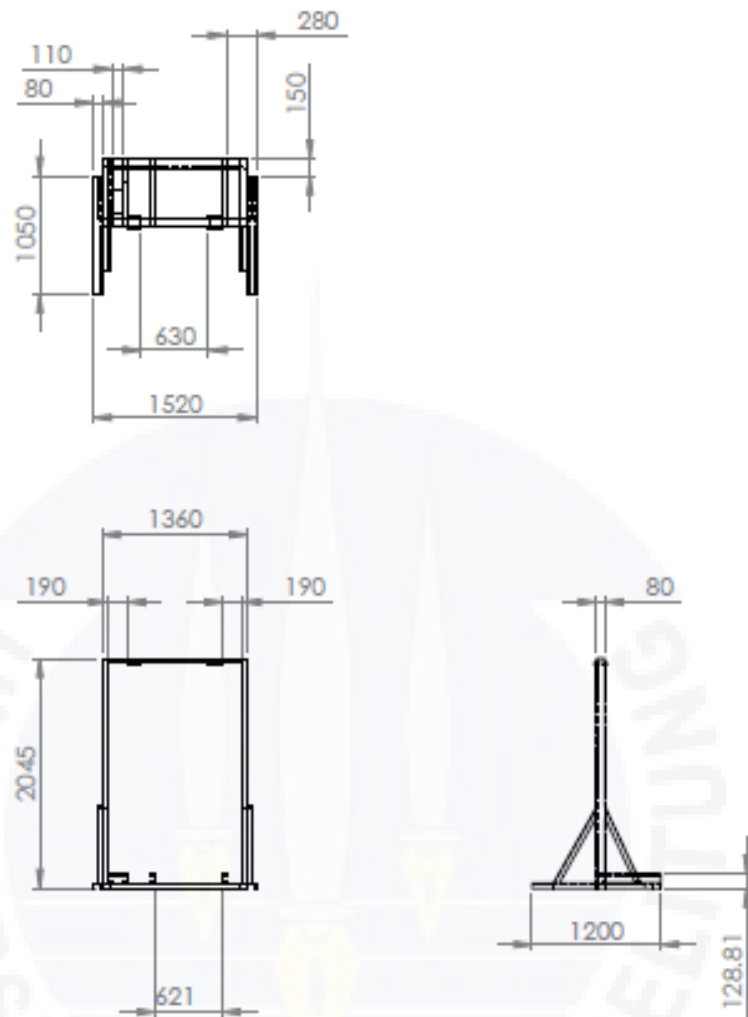
LAMPIRAN

No	Nama	Jumlah
1	Rangka	1
2	Bak Penampung	1
3	Roda	2
4	Tali	2
5	Bearing 30 mm	2
6	Paras	1
7	Roller	2
8	Kontrol	2
9	Motor Listrik + Reduser	1

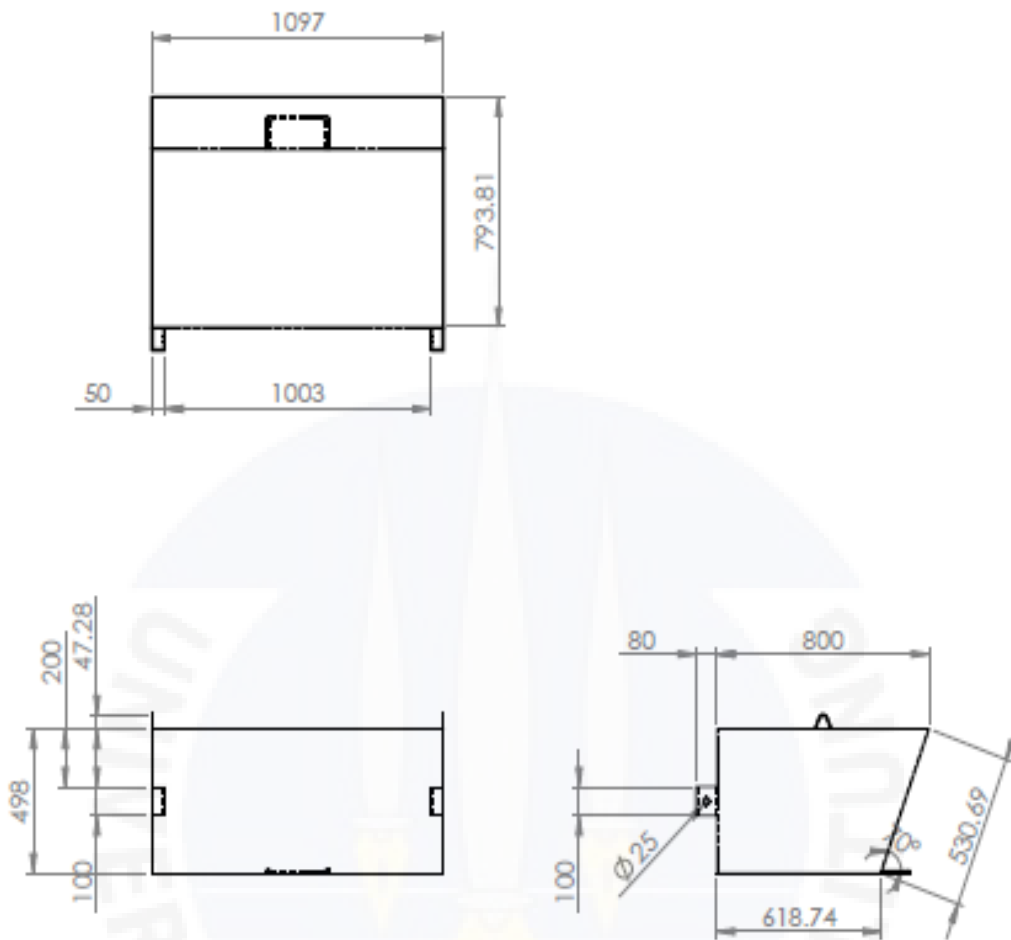
UNLESS OTHERWISE SPECIFIED: DIMENSIONS ARE IN MILLIMETERS SURFACE FINISH: TOLERANCES: FINISH: ANGULAR:		FINISH	DRESS AND ROUND SHARP EDGES		DO NOT SCALE DRAWING	REVISION
					<i>Universitas Bangka Belitung</i>	
					Assembly	
DRAWN	NAME	SIGNATURE	DATE		TTLA	
CHEK	AL AMIR					
APPVD						
MFG						
QA				MATERIAL	DWG NO.	A4
				WEIGHT	SCALE: 1:20	SHEET 1 OF 10



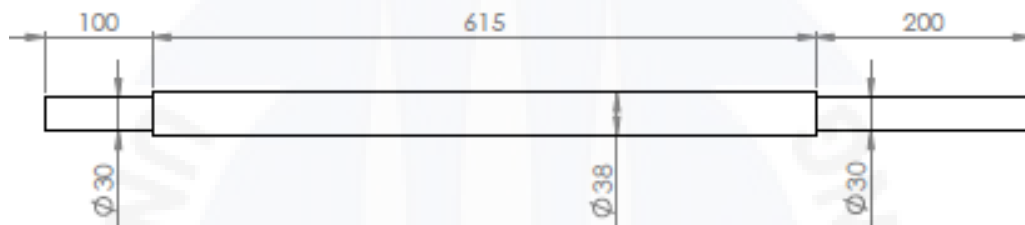
UNLESS OTHERWISE SPECIFIED: DIMENSIONS ARE IN MILLIMETERS SURFACES UNLESS NOTED TOLERANCES: FRACTIONS DECIMALS ANGULAR		FINISH		DRESS AND BREAK SHARP EDGES		DO NOT SCALE DRAWING		REVISION	
						<i>Universitas Bangka Belitung</i>			
						TITLE			
						Assembly			
DRAWN	NAME	SIGNATURE	DATE			DWG NO.		A4	
CHKD	AK ANGG								
APPVD									
MFG									
QA					MATERIAL				



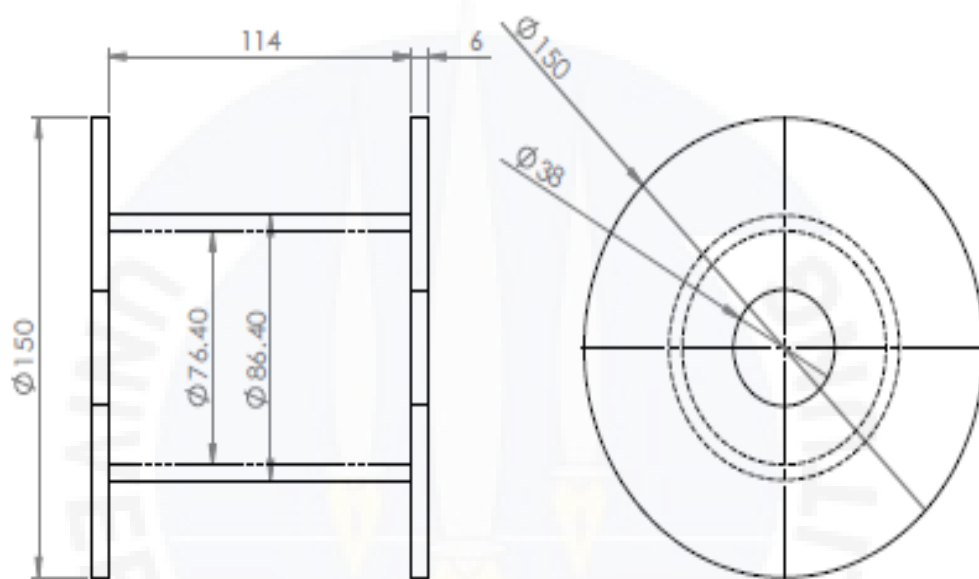
UNLESS OTHERWISE SPECIFIED: DIMENSIONS ARE IN MILLIMETERS SURFACE FINISH: TOLERANCES: DIMAS: ANGKULAK:				REVISI		DIBER AND REVISI DAMPAK ROBOT		DO NOT SCALE DRAWING		REVISION	
								<i>Universitas Bangka Belitung</i>			
NAME				SIGNATURE		DATE		TITLE			
DRAWN				A141810				Rangka			
CHECK											
APPROVED											
MFG											
QA						MATERIAL:		DWG NO.		A4	
						Steel		GT. 1			
						WEIGHT:		SCALE: 1:20		SHEET 3 OF 10	



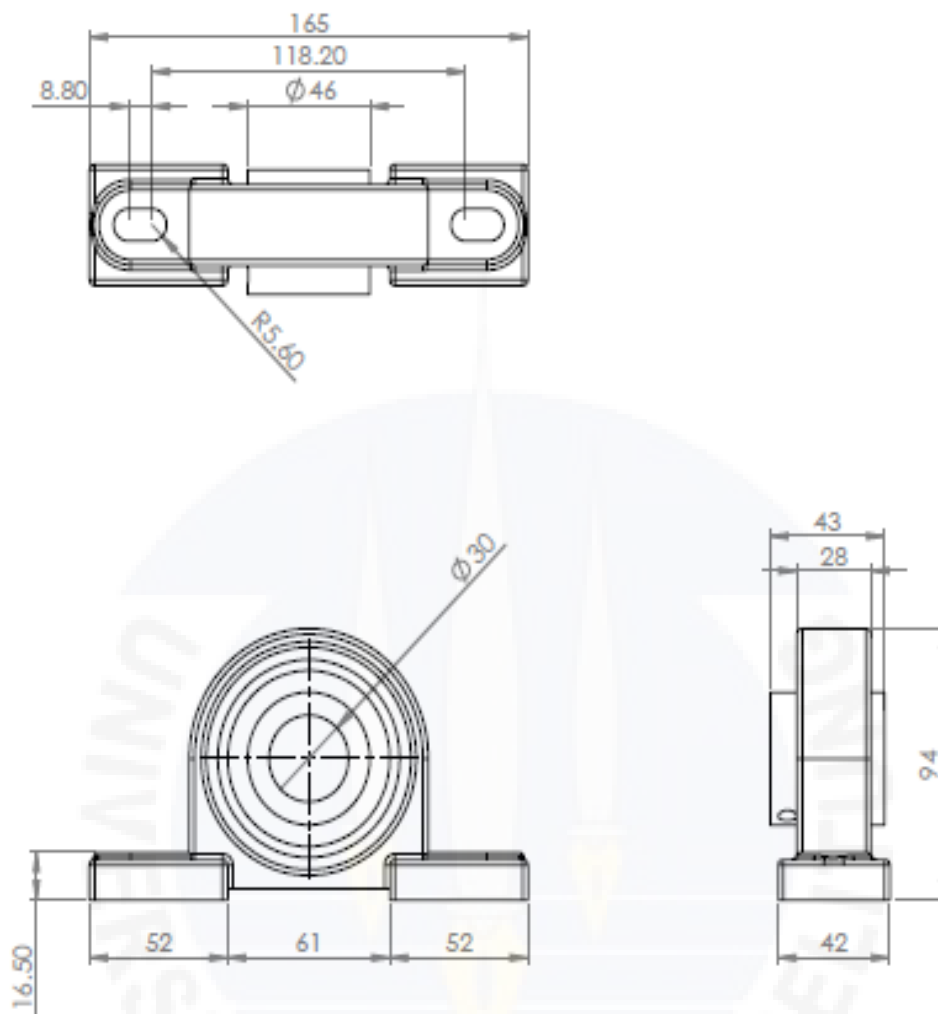
UNLESS OTHERWISE SPECIFIED: DIMENSIONS ARE IN MILLIMETERS		FINISH		ORDER AND BRAND SHARP EDGES		DO NOT SCALE DRAWING		REVISION	
DRAWN: Al Azizi						<i>Universitas Bangka Belitung</i>			
CHECKED:								Bak Penampung	
APPROVED:						GT. 2			
MATERIAL:				Steel				DWD NO.	



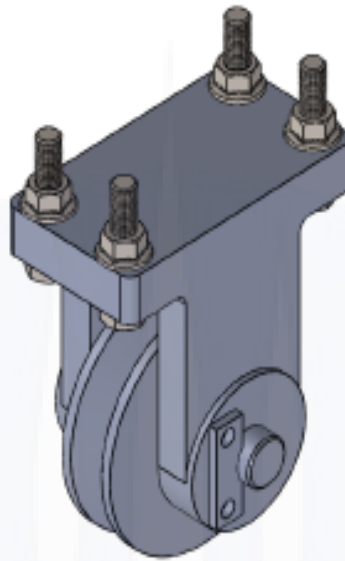
UNLESS OTHERWISE SPECIFIED: DIMENSIONS ARE IN MILLIMETERS SURFACES UNLESS OTHERWISE SPECIFIED FINISH: ANGULAR				RIBB		DRESS AND BRING SHARP EDGES		DO NOT SCALE DRAWING		REVISION	
								<i>Universitas Bangka Belitung</i>			
				TITLE							
				Poros							
				MATERIAL:				DWG NO.		A4	
				Steel				GT. 6			
				WEIGHT:				SCALE:		SHEET 1 OF 10	



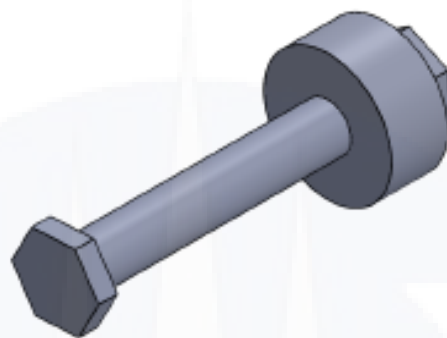
UNLESS OTHERWISE SPECIFIED: DIMENSIONS ARE IN MILLIMETERS		FINISH		DRESS AND BREAK SHARP EDGES		DO NOT SCALE DRAWING		REVISION	
SURFACES FINISH: TOUGHENED: SHAR: ANGULAR:						<i>Universitas Bangka Belitung</i>			
NAME	SIGNATURE	DATE				TITLE <h1>Roller</h1>			
DRAWN	Al Andho								
CHECK									
APPVD									
MFG									
QA						MATERIAL:	DWG NO.	GT. 7	
						Steel			
						WEIGHT:	SCALE 1:1	SHEET 4 OF 10	



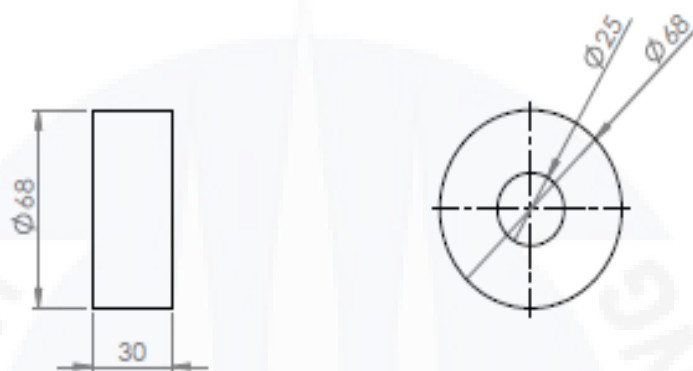
UNLESS OTHERWISE SPECIFIED: DIMENSIONS ARE IN MILLIMETERS		FINISH		DRILL AND BREAK SHARP EDGES		DO NOT SCALE DRAWING		REVISION	
SURFACES FINISH: TOUGHNESS: SHAPE: ANGULAR:						<i>Universitas Bangka Belitung</i>			
	NAME	SIGNATURE	DATE			Bearing $\phi 30$			
DRAWN	Al Andri								
CHECK									
APPVED									
MFG									
QA				MATERIAL:	DWG NO.	GT. 5		A4	
				WEIGHT:	SCALE:			SHEET 7 OF 10	



UNLESS OTHERWISE SPECIFIED: DIMENSIONS ARE IN MILLIMETERS		FINISH		CHECK AND BRING SHARP EDGES		DO NOT SCALE DRAWING		REVISION	
SURFACE FINISH: TOOLERANCE: DINAR: ANGULAR:						<i>Universitas Bangka Belitung</i>			
	NAME	SIGNATURE	DATE			Katrol			
DRAWN									
CHECK									
APPROV									
MFG									
QA				MATERIAL:		DWG NO.		A4	
						GT. 8			
				WEIGHT:		SCALE 1:50		SHEET 8 OF 10	



UNLESS OTHERWISE SPECIFIED: DIMENSIONS ARE IN MILLIMETERS		FINISH		DRILL AND BRIKE SHARP EDGES		DO NOT SCALE DRAWING		REVISION	
SURFACE FINISH: TO FINISH: SHARPE ANGULAR:						Universitas Bangka Belitung			
NAME	SIGNATURE	DATE				Asmbl Roda			
DRAWN	AL AGUNG								
CHECKED									
APPROVED									
MFG									
QA					MATERIAL:	DWO NO.		A4	
					Steel	GT. 3			
					WEIGHT:	SCALE: 1:30		SHEET 9 OF 10	



UNLESS OTHERWISE SPECIFIED: DIMENSIONS ARE IN MILLIMETERS SURFACE FINISH TOLERANCES: UNLESS NOTED:			RHS			DRAWN AND CHECKED BY: RDS			DO NOT SCALE DRAWING			REVISION		
<i>Universitas Bangka Belitung</i>														
TITLE												<h1>Roda</h1>		
DRAWN: AJA/2019														
CHECKED:														
APPROVED:														
MFG:														
QA			MATERIAL:			DWG NO.			A4					
			Steel			GT. 3								
			WEIGHT:			SCALE: 1:30			SHEET 10 OF 10					