

Lampiran 1

Hasil pengujian 1 menit

Pengujian pertama



pengujian kedua



Pengujian ketiga



Hasil pengujian 2 menit

Pengujian pertama



pengujian kedua



Pengujian ketiga



Lampiran 2

Hasil pengujian 3 menit

Pengujian pertama



pengujian kedua



Pengujian ketiga



Hasil pengujian 4 menit

Pengujian pertama



pengujian kedua



Pengujian ketiga



Lampiran 3

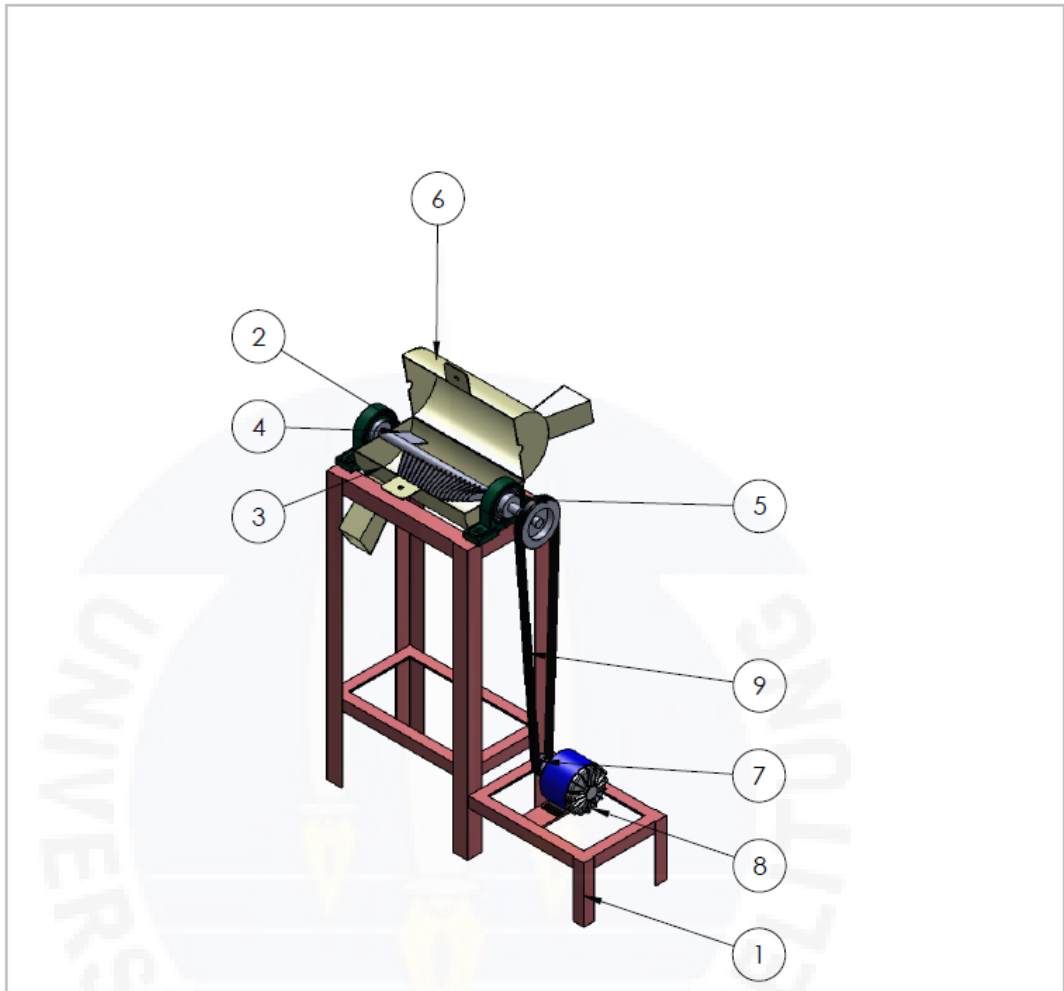
Tabel untuk menentukan tegangan ijin stainless 304

Tabel 2.2 Sifat mekanik AISI 304 ^[4]

Poison	Tensile	Yield	Elong	Hard	Mod	Density
0,27- 0,30	515	205	40	88	193	8

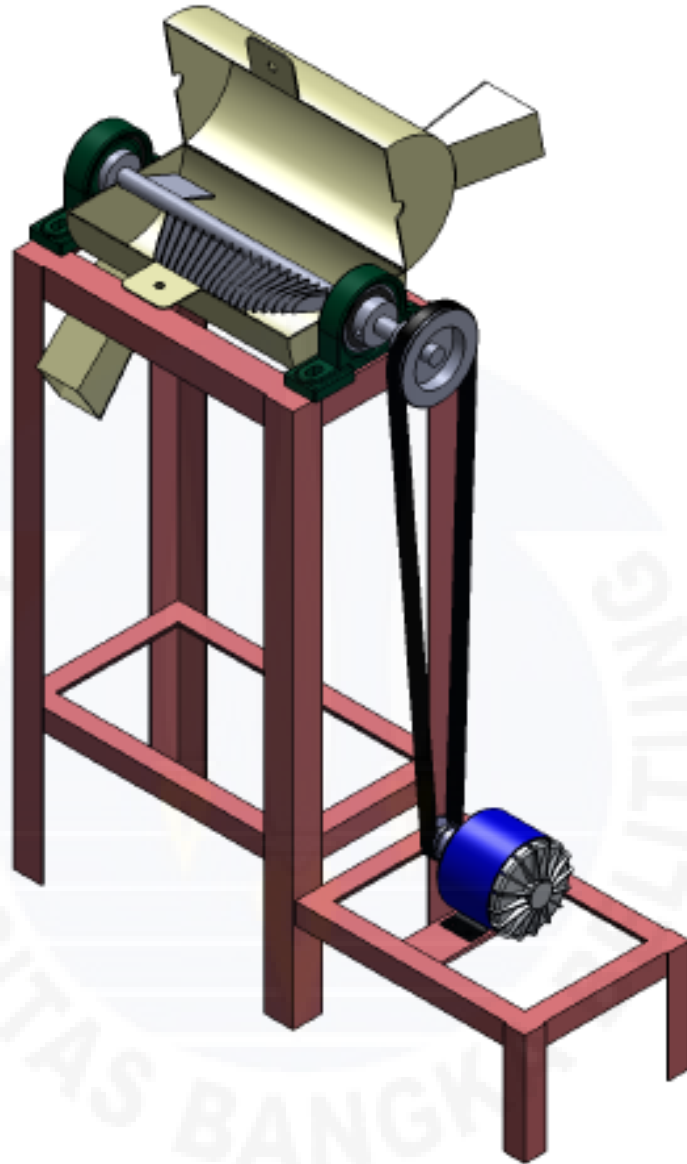


Lampiran 4



No	Nama	Jumlah	Bahan	Keterangan
1	Rangka	1	ST 37 Steel	
2	Bearing	2		3/4 inch
3	Tabung Bawah	1	Stainless Steel	
4	Poros + Mata Potong	1	Stainless Steel	
5	Pulley 4"	1	Alumunium	
6	Tabung Atas	1	Stainless Steel	
7	Pulley 1,5"	1	Alumunium	
8	Motor Listrik AC	1		125 Watt
9	V-Belt	1		Type A

UNLESS OTHERWISE SPECIFIED: DIMENSIONS ARE IN MILLIMETERS		FINISH:	DEBUR AND BREAK SHARP EDGES		DO NOT SCALE DRAWING	REVISION			
SURFACE FINISH:		<p style="text-align: center;"><i>Universitas Bangka Belitung</i></p> <p style="text-align: center; font-size: 2em;">Assembly</p>				TITLE:			
TOLERANCES:						DRAWN: Subardianto		DATE:	
LINEAR:						CHKD:		MATERIAL:	
ANGULAR:						APPVD:		DWG NO. A4	
						MFG:		SCALE: 1:10	
Q.A:		WEIGHT:		SHEET 1 OF 10					



UNLESS OTHERWISE SPECIFIED:
DIMENSIONS ARE IN MILLIMETERS
SURFACE FINISH
TOLERANCES:
LINEAR:
ANGULAR:

FINISH

DRILL AND
BREAK SHARP
EDGES

DO NOT SCALE DRAWING

REVISION

Universitas Bangka Belitung

	NAME	SIGNATURE	DATE		
DESIGN	Subandianto				
CHECK					
APPROV					
MFG					
QA					
				MATERIAL:	
				WEIGHT:	

TKL

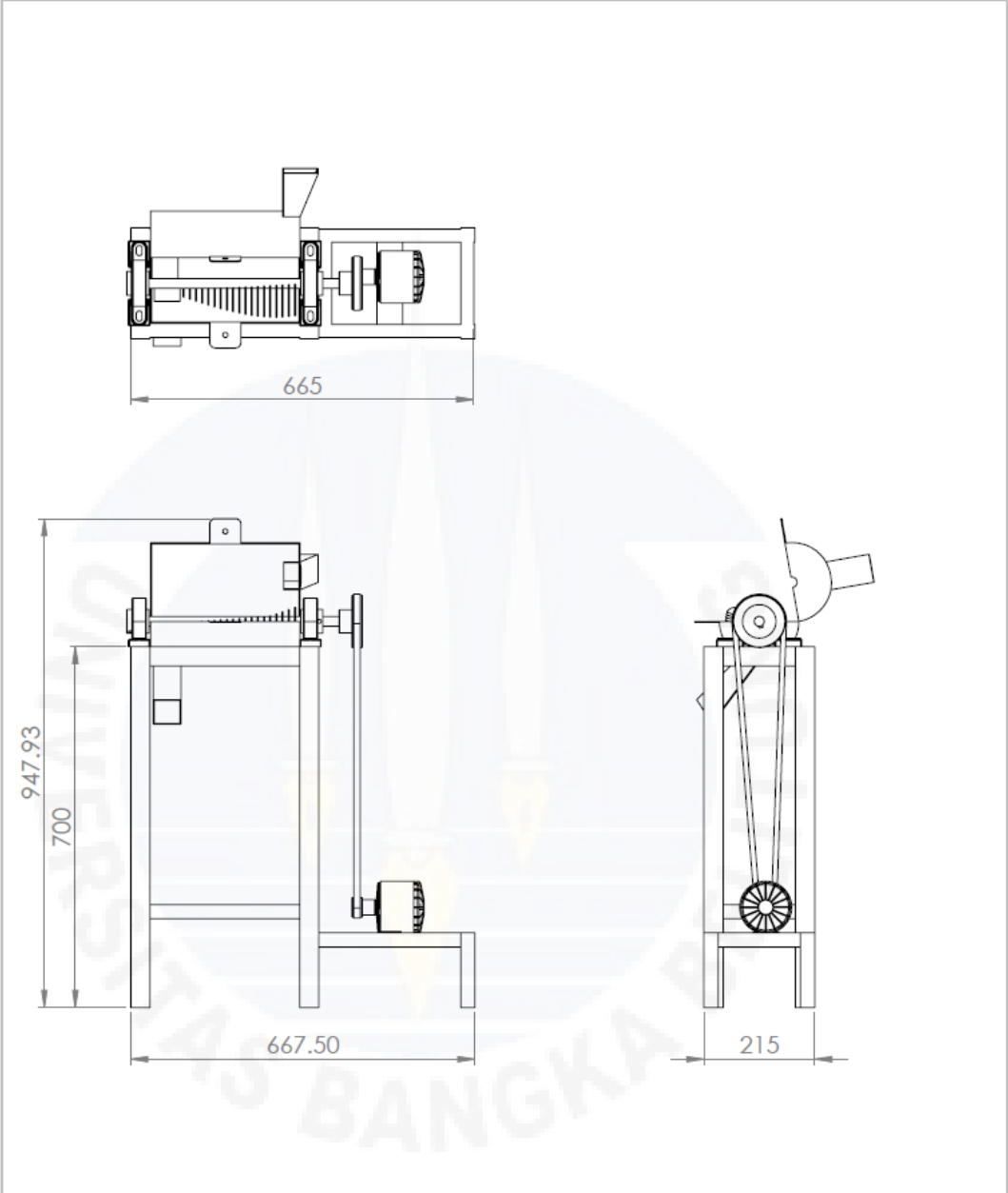
Assembly

DWG NO.

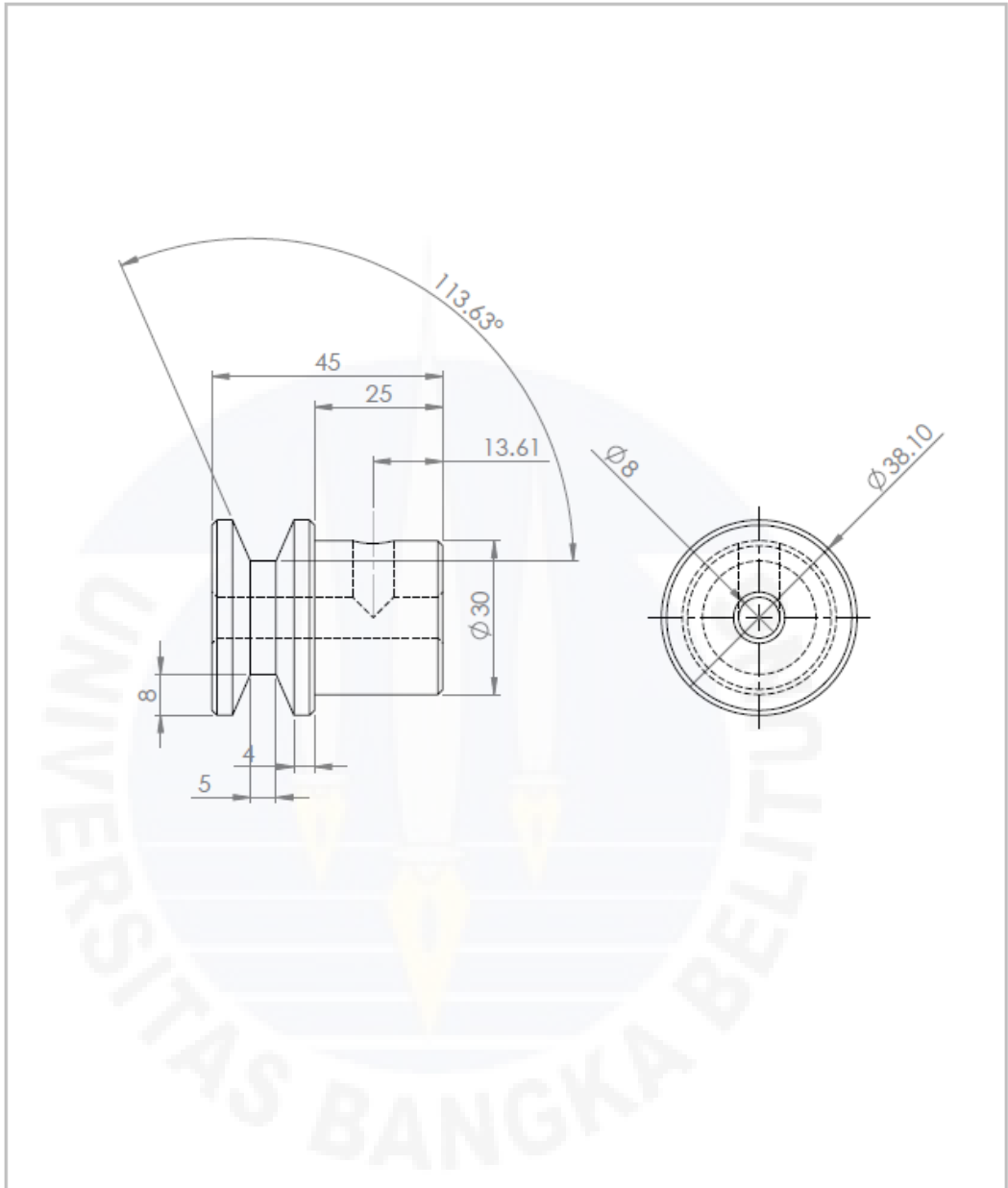
A4

SCALE:

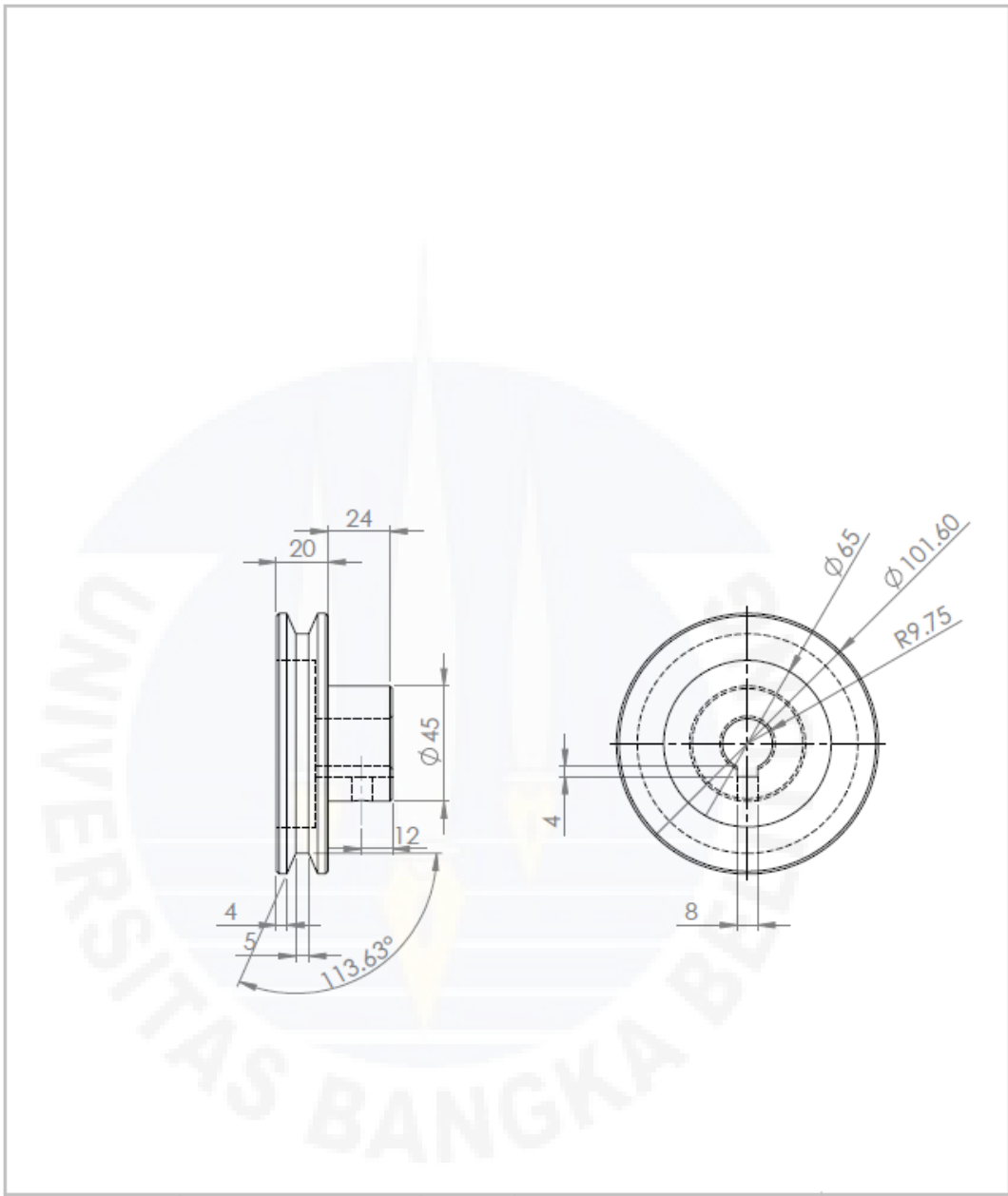
SHEET 2 OF 10



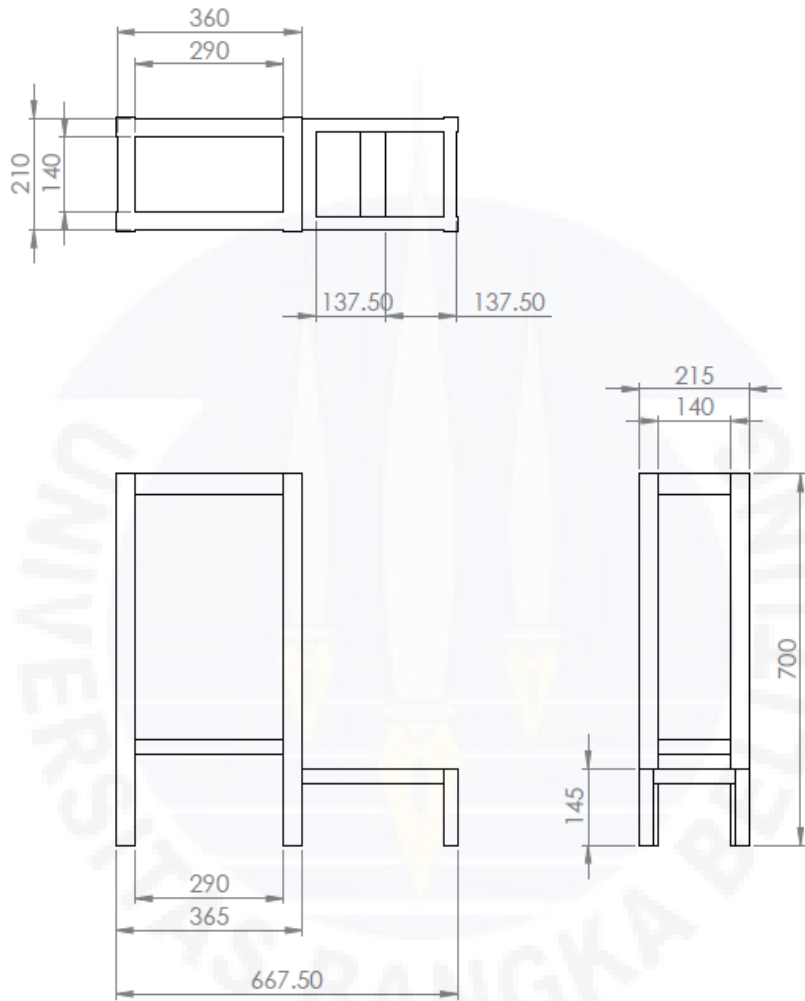
UNLESS OTHERWISE SPECIFIED: DIMENSIONS ARE IN MILLIMETERS			FINISH:		DEBUR AND BREAK SHARP EDGES		DO NOT SCALE DRAWING		REVISION	
SURFACE FINISH:							<i>Universitas Bangka Belitung</i>			
TOLERANCES:										
LINEAR:										
ANGULAR:										
DRAWN			NAME	SIGNATURE	DATE	TITLE:				
CHKD			Subardianto			Assembly				
APPVD										
MFG										
Q.A			MATERIAL:			DWG NO.			A4	
			WEIGHT:			SCALE:1:20			SHEET 3 OF 10	



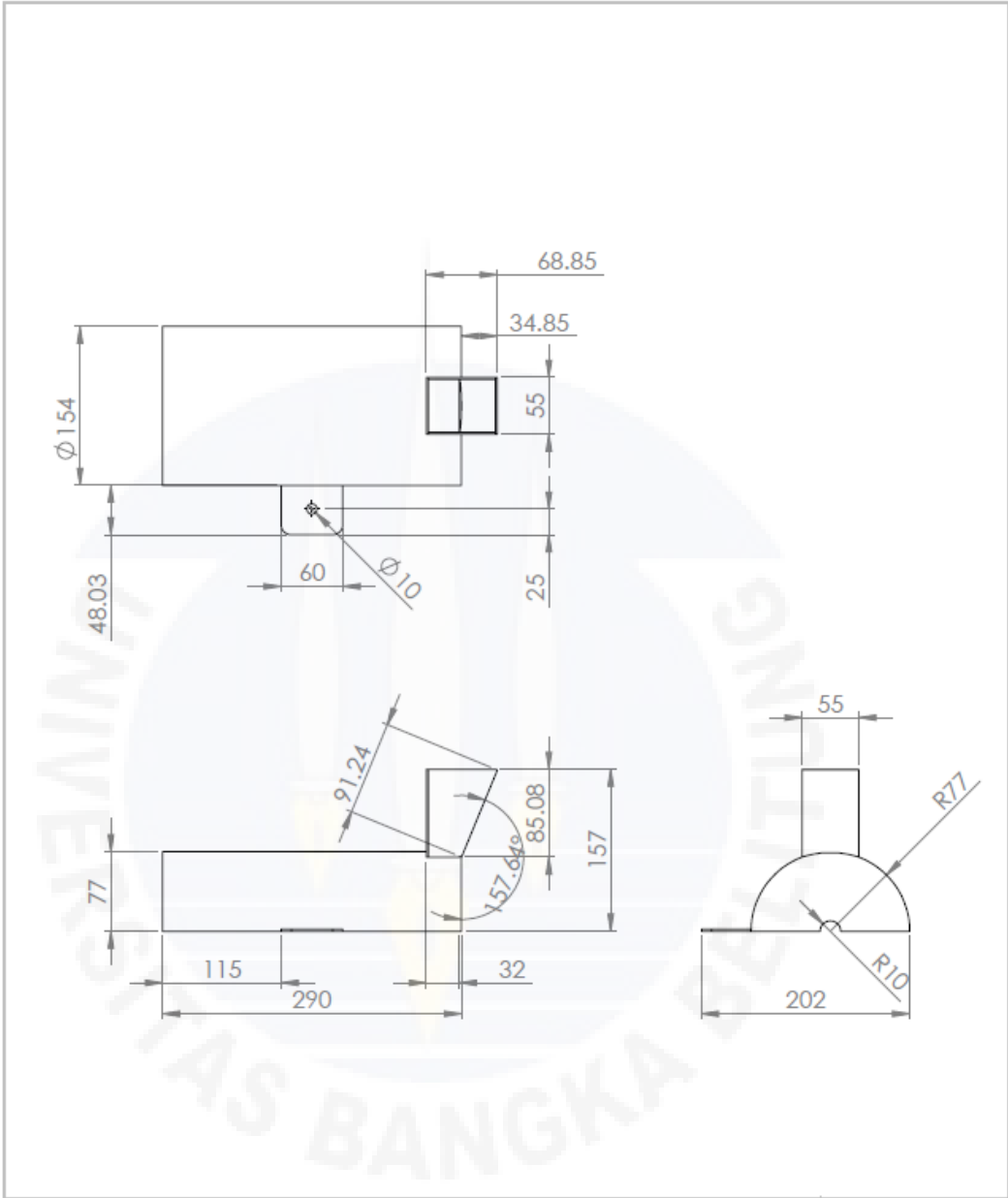
UNLESS OTHERWISE SPECIFIED: DIMENSIONS ARE IN MILLIMETERS		FINISH:		DEBUR AND BREAK SHARP EDGES		DO NOT SCALE DRAWING		REVISION					
SURFACE FINISH:						<i>Universitas Bangka Belitung</i>							
TOLERANCES:						TITLE: Pulley 1,5 "							
LINEAR:													
ANGULAR:													
DRAWN		NAME	SIGNATURE	DATE									
CHKD		Subardianto											
APPVD													
MFG													
Q.A						MATERIAL:	DWG NO.		A4				
						Aluminium	GT. 7						
						WEIGHT:	SCALE:1:1		SHEET 5 OF 10				



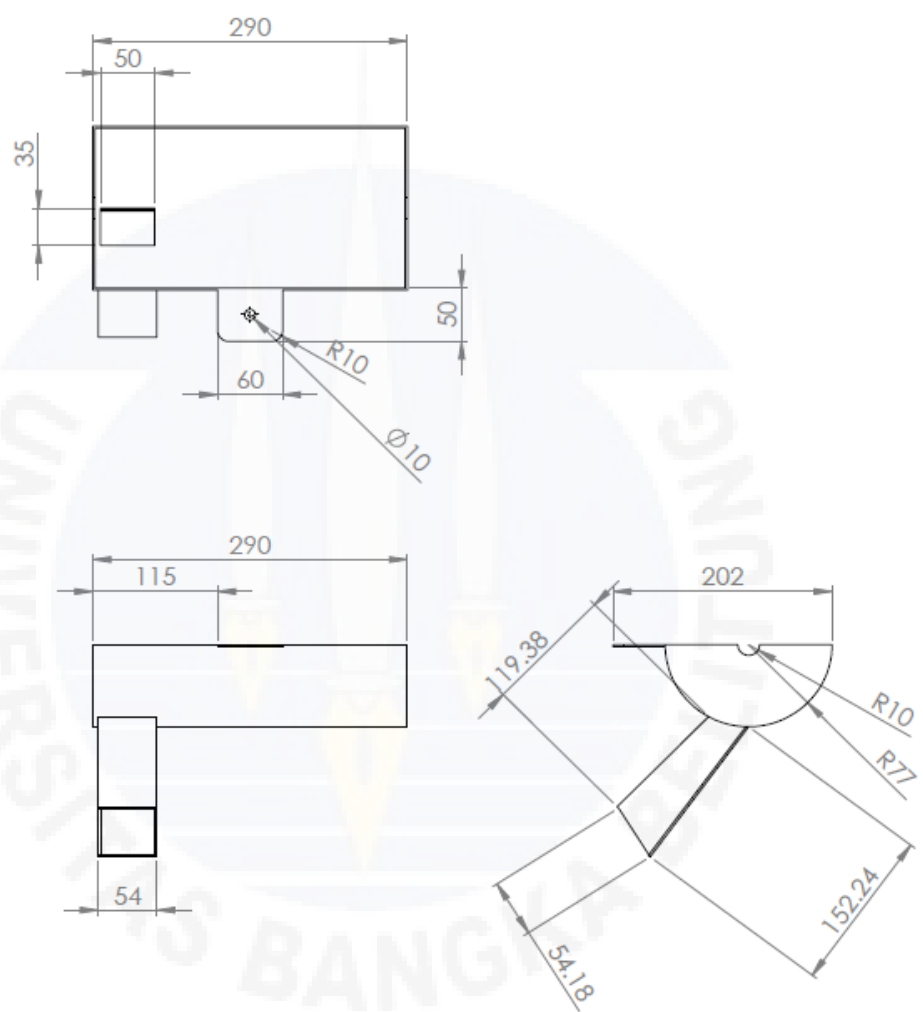
UNLESS OTHERWISE SPECIFIED: DIMENSIONS ARE IN MILLIMETERS SURFACE FINISH: TOLERANCES: LINEAR: ANGULAR:		FINISH:		DEBUR AND BREAK SHARP EDGES		DO NOT SCALE DRAWING		REVISION	
						<i>Universitas Bangka Belitung</i>			
DRAWN Subardianto		SIGNATURE		DATE		TITLE: Pulley 4"			
CHKD						DWG NO. GT. 5			
APPVD									
MFG						A4			
Q.A									
				MATERIAL: Aluminium		SCALE:1:2			
				WEIGHT:		SHEET 4 OF 10			



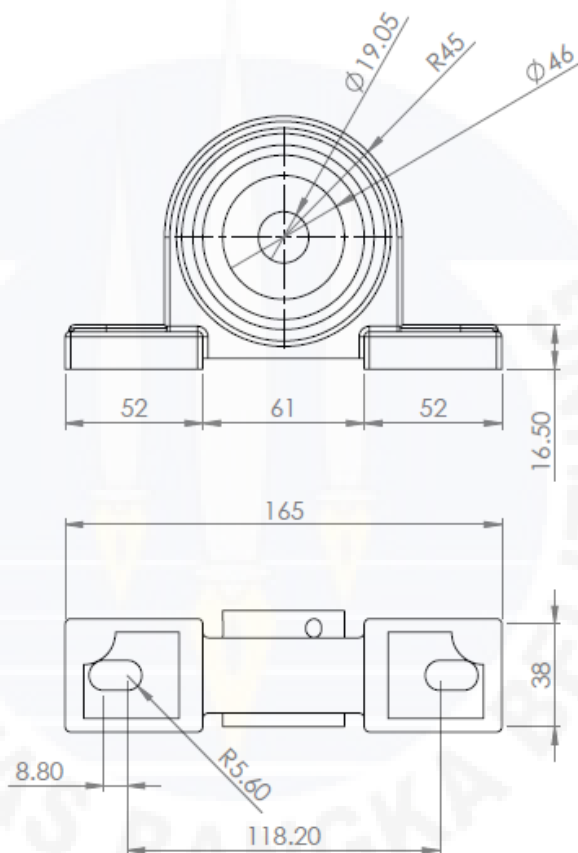
UNLESS OTHERWISE SPECIFIED: DIMENSIONS ARE IN MILLIMETERS		FINISH:		DEBUR AND BREAK SHARP EDGES		DO NOT SCALE DRAWING		REVISION					
SURFACE FINISH:						<i>Universitas Bangka Belitung</i>							
TOLERANCES:						TITLE: <h1 style="margin: 0;">Rangka</h1>							
LINEAR:													
ANGULAR:													
DRAWN		SIGNATURE		DATE						DWG NO.		A4	
Subardianto										<h2 style="margin: 0;">GT. 1</h2>			
CHKD						MATERIAL:							
APPVD						ST 37 Steel							
MFG						WEIGHT:		SCALE:1:20					
Q.A								SHEET 7 OF 10					



UNLESS OTHERWISE SPECIFIED: DIMENSIONS ARE IN MILLIMETERS SURFACE FINISH: TOLERANCES: LINEAR: ANGULAR:		FINISH:	DEBUR AND BREAK SHARP EDGES		DO NOT SCALE DRAWING	REVISION
					<i>Universitas Bangka Belitung</i>	
					TITLE: Tabung Atas	
DRAWN	NAME	SIGNATURE	DATE		DWG NO.	A4
CHKD	Subardianto				GT. 6	
APPVD						
MFG					SCALE:1:10	SHEET 8 OF 10
Q.A				MATERIAL: Stainless Steel	WEIGHT:	



UNLESS OTHERWISE SPECIFIED: DIMENSIONS ARE IN MILLIMETERS		FINISH:		DEBUR AND BREAK SHARP EDGES		DO NOT SCALE DRAWING		REVISION	
SURFACE FINISH:						<i>Universitas Bangka Belitung</i>			
TOLERANCES:									
LINEAR:						TITLE: Tabung Bawah			
ANGULAR:									
DRAWN		NAME	SIGNATURE	DATE			DWG. NO.		GT. 3
CHK'D							SCALE:1:5		
APP'VD							SHEET 9 OF 10		
MFG									
Q.A					MATERIAL: Stainless Steel		A4		
					WEIGHT:				



UNLESS OTHERWISE SPECIFIED: DIMENSIONS ARE IN MILLIMETERS		FINISH:		DEBUR AND BREAK SHARP EDGES		DO NOT SCALE DRAWING		REVISION	
SURFACE FINISH:						<i>Universitas Bangka Belitung</i>			
TOLERANCES:									
LINEAR:						TITLE: Bearing $\phi 3/4$ "			
ANGULAR:									
	NAME	SIGNATURE	DATE			DWG NO.		A4	
DRAWN	Subardianto					GT. 2			
CHKD									
APPVD						SCALE:1:5		SHEET 10 OF 10	
MFG						WEIGHT:			
Q.A									