

# LAMPIRAN



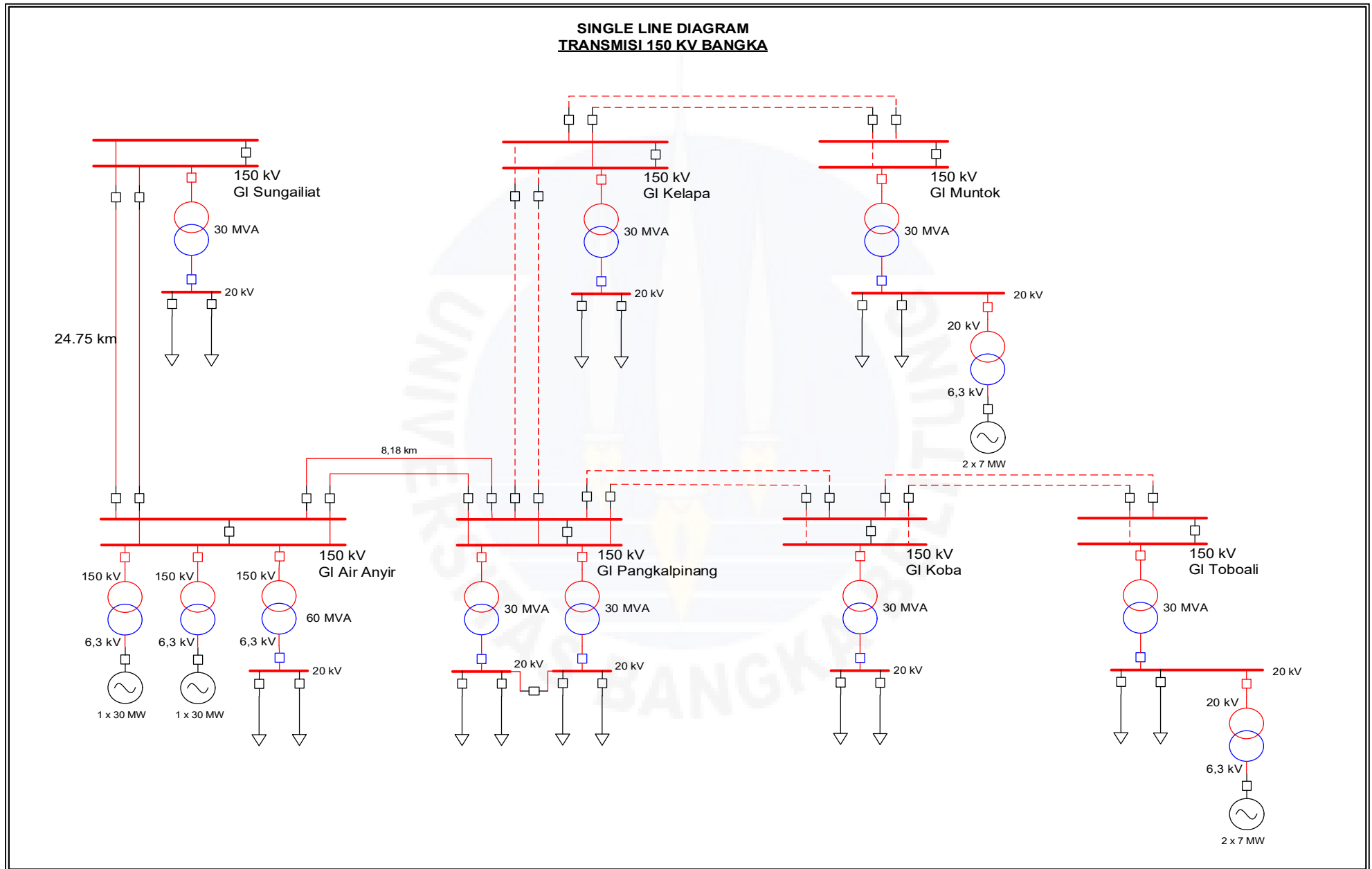
**LAMPIRAN 1. Pembebanan Penyulang Rayon Pangkalpinang**

NO	PENYULANG	PEMBANGKIT / GI	R	S	T	ARUS RATA-RATA		BEBAN (KW)
1	Amerika (PP1)	PLTD MERAWANG	91	96	95	94	94	2.765
2	Argentina (PP2)		0	0	0	-	-	-
3	Brazil (PP3)		67	66	67	67	66	1.961
4	Chili (PP4)		102	104	107	104	104	3.068
5	Jamaika (PP5)		114	117	117	116	116	3.412
6	Meksiko (PP6)		0	0	0	-	-	-
7	Uruguay (PP7)		0	0	0	-	-	-
<b>Subtotal</b>								
8	Brunei (A. Anyir)	GI AIR ANYIR	0	0	0	-	-	-
9	Singapore(Batu Rusa)		12	12	12	12	12	353
10	Malaysia(PKL Balam)		124	124	124	124	124	3.647
11	Indonesia (Propinsi)		150	150	150	150	150	4.412
12	Thailand (PP7)		117	117	117	117	117	3.441
13	Pilipina (PP2)		141	141	141	141	141	4.147
<b>Subtotal</b>								
14	Belanda (F1)	GI KAMPAK	112	124	124	120	120	3.529
15	Bosnia(F2)		96	101	95	97	97	2.863
16	Ceko(F3)		207	214	216	212	212	6.245
17	Denmark (F4)		171	171	173	172	171	5.049
18	Itali (F5)		0	0	0	1	1	29
19	Inggris (F6)		0	0	0	-	-	-
20	Jerman (F7)		0	0	0	-	-	-
21	Kroasia (F8)		53	56	56	55	55	1.618
22	Prancis (F9)		98	99	99	99	98	2.902
23	Spanyol (F10)		145	149	149	148	147	4.343

**LAMPIRAN 2. Panjang Penyulang Rayon Pangkalpinang**

No.	Uraian	Tegangan operasi (kV)	Panjang SUTM (kms)	Panjang SKTM (kms)	Panjang SUTR (km)	Panjang SKTR (km)	Gardu Distribusi 220/380 V (buah)	BEBAN PENYULANG (kW)		
<b>A. RAYON PANGKALPINANG</b>										
<b>PLTD Merawang</b>										
1	PP-1	20	65,012	0,830	<b>1.385,424</b>	<b>-</b>	47	2.607,687		
2	PP-2	20	64,942	1,325			-	-		
3	PP-3	20	100,650	1,110			40	1.892,043		
4	PP-4	20	88,919	0,130			25	3.107,657		
5	PP-5	20	40,020	0,410			51	2.205,750		
6	PP-6	20	25,408	0,845			1	-		
7	PP-7	20	60,173	1,580			-	-		
<b>JUMLAH PLTD MERAWANG</b>			<b>445,123</b>	<b>6,230</b>			<b>164</b>	<b>9.813,137</b>		
<b>GI KAMPAK</b>										
8	F1	20	7,818	0,080			<b>1.385,424</b>	<b>-</b>	63	3.470,380
9	F2	20	23,264	0,330					50	2.676,310
10	F3 (MO MALIK)	20	183,167	0,450					110	6.127,083
11	F4	20	-	-					96	4.852,650
12	F5	20	-	-					-	-
13	F6	20	-	-					-	-
14	F7	20	-	7,600					-	-
15	F8	20	4,027	0,120					37	1.990,077
16	F9	20	64,046	0,160	50	2.235,160				
17	F10	20	72,544	0,130	52	2.127,323				
<b>JUMLAH GI KAMPAK</b>			<b>354,866</b>	<b>8,870</b>	<b>458</b>	<b>23.478,983</b>				
<b>GI AIR ANYIR</b>										
18	OG. AIR ANYIR (BRUNEI)	20	-	-	<b>1.385,424</b>	<b>-</b>	-	-		
19	OG. BATURUSA (SINGAPURA)	20	-	-			5	499,970		
20	OG. THAILAND	20	4,087	1,465			83	5.440,850		
21	OG. PHILIPINA	20	4,087	1,475			63	4.352,680		
22	OG. PROPINSI (INDONESIA)	20	80,618	1,393			81	4.087,990		
23	OG. PKL BALAM. (MALAYSIA)	20	35,582	1,173			66	4.235,040		
<b>JUMLAH GI AIR ANYIR</b>			<b>124,373</b>	<b>5,506</b>			<b>298</b>	<b>18.616,530</b>		
<b>JUMLAH RAYON PANGKALPINANG</b>			<b>924,363</b>	<b>20,606</b>			<b>1.385,424</b>	<b>-</b>	<b>920</b>	<b>51.908,650</b>

### LAMPIRAN 3. Single Line Diagram Transmisi Sistem Bangka



## LAMPIRAN 4. Rincian Panjang Penghantar Rayon Pangkalpinang

### PANJANG PENGHANTAR PENYULANG PP1

No	Nama Penyulang	Gardu / Keypoint / Percabangan		Tegangan (kV)	Saluran SUTM/ SKTM	Jenis Penghantar	Panjang Meter
		Asal	Tujuan				
	1	2	3	4	5	6	7
0	PP1	PLTD Merawang	Tiang Awal	20	SKTM	XLPE 240	16
1	PP1	Tiang Awal	FCO	20	SUTM	A3C 240	2738
2	PP1	FCO	FCO	20	SUTM	A3C 240	696
3	PP1	FCO	Percabangan 1	20	SUTM	A3C 240	966
3.1 (4)	PP1	Percabangan 1	FCO	20	SUTM	A3C 240	50
5	PP1	FCO	Gardu P501	20	SUTM	A3C 240	1161
6	PP1	Gardu P501	Gardu P099	20	SUTM	A3C 240	925
7	PP1	Gardu P099	LBS Batu Ampar	20	SUTM	A3C 240	992
8	PP1	LBS Batu Ampar	Percabangan 2 (P242)	20	SUTM	A3C 240	232
8.1 (9)	PP1	Percabangan 2 (P242)	Gardu P243	20	SUTM	A3C 240	1435
8.2 (10)	PP1	Percabangan 2 (P242)	Jointing	20	SUTM	A3C 240	982
11	PP1	Jointing	Tiang Akhir	20	SUTM	A3C 70	67
3.2 (12)	PP1	Percabangan 1	BTS FLEXY	20	SUTM	A3C 240	1926
13	PP1	BTS FLEXY	Percabangan 3	20	SUTM	A3C 240	2211
13.1 (14)	PP1	Percabangan 3	ACR Baturusa	20	SUTM	A3C 240	85
15	PP1	ACR Baturusa	BTS Telkomsel	20	SUTM	A3C 240	3034
16	PP1	BTS Telkomsel	Gardu Pabrik Aspal	20	SUTM	A3C 240	5066
17	PP1	Gardu Pabrik Aspal	Percabangan 4	20	SUTM	A3C 240	2533
17.1 (18)	PP1	Percabangan 4	FCO	20	SUTM	A3C 240	50
19	PP1	FCO	PT Fajar Berseri	20	SUTM	A3C 240	705
17.2 (19)	PP1	Percabangan 4	Gardu P561	20	SUTM	A3C 240	556
21	PP1	Gardu P561	Gardu P1052	20	SUTM	A3C 240	35
22	PP1	Gardu P1052	GI Air Anyir	20	SKTM	XLPE 240	215
13.2 (23)	PP1	Percabangan 3	Gardu BTS	20	SUTM	A3C 240	328
24	PP1	Gardu BTS	Jointing SKTM	20	SUTM	A3C 240	1361
25	PP1	Jointing SKTM	Jointing SUTM	20	SKTM	XLPE 240	40
26	PP1	Jointing SUTM	Percabangan 5	20	SUTM	A3C 240	1362
26.1 (27)	PP1	Percabangan 5	Jointing	20	SUTM	A3C 240	940
28	PP1	Jointing	Gardu P049	20	SKTM	XLPE 240	27
26.2 (29)	PP1	Percabangan 5	Gardu P635	20	SUTM	A3C 240	1946
30	PP1	Gardu P635	LBS Pagarawan	20	SUTM	A3C 240	1040
31	PP1	LBS Pagarawan	Percabangan 6	20	SUTM	A3C 240	244

31.1 (32)	PP1	Percabangan 6	Gardu P503 (SPBE)	20	SUTM	A3C 70	29
31.2 (33)	PP1	Percabangan 6	Gardu P006	20	SUTM	A3C 240	1775
34	PP1	Gardu P006	Percabangan 7	20	SUTM	A3C 240	617
34.1 (35)	PP1	Percabangan 7	Gardu P637	20	SUTM	A3C 150	247
36	PP1	Gardu P637	Gardu P639	20	SUTM	A3C 150	190
37	PP1	Gardu P639	Gardu P638	20	SUTM	A3C 150	243
34.2 (38)	PP1	Percabangan 7	Gardu P262	20	SUTM	A3C 240	286
39	PP1	Gardu P262	Percabangan 8	20	SUTM	A3C 240	327
39.1 (40)	PP1	Percabangan 8	Gardu P911	20	SUTM	A3C 240	121
39.2 (41)	PP1	Percabangan 8	Gardu P007	20	SUTM	A3C 240	182
42	PP1	Gardu P007	Gardu P308	20	SUTM	A3C 240	365
43	PP1	Gardu P308	Gardu P056	20	SUTM	A3C 240	433
44	PP1	Gardu P056	Gardu P372	20	SUTM	A3C 240	80
45	PP1	Gardu P372	Jointing SKTM	20	SUTM	A3C 240	138
46	PP1	Jointing SKTM	GH Kantor	20	SKTM	XLPE 240	23
47	PP1	GH Kantor	Jointing SUTM	20	SKTM	XLPE 240	23
48	PP1	Jointing SUTM	Jointing SKTM	20	SUTM	A3C 150	134
49	PP1	Jointing SKTM	Jointing SUTM	20	SKTM	XLPE 240	52
50	PP1	Jointing SUTM	Gardu P050	20	SUTM	A3C 35	90
51	PP1	Gardu P050	Gardu P263	20	SUTM	A3C 35	220
52	PP1	Gardu P263	Percabangan 9 (P055)	20	SUTM	A3C 35	241
52.1 (53)	PP1	Percabangan 9 (P055)	BTS XL	20	SUTM	A3C 35	521
52.2 (54)	PP1	Percabangan 9 (P055)	Gardu P535	20	SUTM	A3C 35	345
55	PP1	Gardu P535	Gardu P537	20	SUTM	A3C 35	451
56	PP1	Gardu P537	Gardu P171	20	SUTM	A3C 35	356
57	PP1	Gardu P171	Percabangan 10	20	SUTM	A3CS 150	714
57.1 (58)	PP1	Percabangan 10	Gardu P890	20	SUTM		
57.2 (59)	PP1	Percabangan 10	Jointing SKTM	20	SUTM	A3C 70	100
	PP1	Jointing SKTM	Jointing SUTM	20	SKTM	NA2XSEYBY 240	70
	PP1	Jointing SUTM	Gardu P1024	20	SUTM	A3C 70	348
	PP1	Gardu P1024	Jointing SKTM	20	SUTM	A3C 70	715
60	PP1	Jointing SKTM	Gardu P1025	20	SKTM	NA2XSEYBY 240	133
52.3 (61)	PP1	Percabangan 9 (P055)	Jointing	20	SUTM	A3CS 150	201
62	PP1	Jointing	Jointing	20	SUTM	A3C 35	49
63	PP1	Jointing	Gardu P296	20	SUTM	A3CS 150	359
64	PP1	Gardu P296	Percabangan 11 (P046)	20	SUTM	A3CS 150	545
64.1 (65)	PP1	Percabangan 11 (P046)	Gardu P1003	20	SUTM	A3CS 150	280
66	PP1	Gardu P1003	Gardu P567	20	SUTM	A3CS 150	208

64.2 (67)	PP1	Percabangan 11 (P046)	Percabangan 12 (P127)	20	SUTM	A3CS 150	510
67.1 (68)	PP1	Percabangan 12 (P127)	Gardu P343	20	SUTM	A3CS 150	414
69	PP1	Gardu P343	Gardu P128	20	SUTM	A3CS 150	179
67.2 (70)	PP1	Percabangan 12 (P127)	Gardu P1020	20	SUTM	A3CS 150	225
71	PP1	Gardu P1020	Percabangan 13 (P400)	20	SUTM	A3CS 150	305
71.1 (72)	PP1	Percabangan 13 (P400)	Gardu P022	20	SUTM	A3CS 150	238
73	PP1	Gardu P022	LBS Rambutan (Arah F8)	20	SUTM	A3CS 150	437
71.2 (74)	PP1	Percabangan 13 (P400)	Gardu P483	20	SUTM	A3CS 150	376
75	PP1	Gardu P483	Percabangan 14 (P090)	20	SUTM	A3CS 150	115
75.1 (76)	PP1	Percabangan 14 (P090)	Gardu P426	20	SUTM	A3CS 150	283
75.2 (77)	PP1	Percabangan 14 (P090)	Gardu P529	20	SUTM	A3CS 150	412
75.3 (78)	PP1	Percabangan 14 (P090)	Gardu P788 (BTS)	20	SUTM	A3CS 150	194
79	PP1	Gardu P788 (BTS)	Gardu P877	20	SUTM	A3CS 150	103
80	PP1	Gardu P877	Gardu P277	20	SUTM	A3CS 150	339
81	PP1	Gardu P277	Gardu P753	20	SUTM	A3CS 150	40
82	PP1	Gardu P753	Gardu P617	20	SUTM	A3C 70	102

### PENYULANG PP3

No	Nama Penyulang	Gardu / Keypoint / Percabangan		Tegangan (kV)	Saluran SUTM/ SKTM	Jenis Penghantar	Panjang Meter
		Asal	Tujuan				
	1	2	3	4	5	6	7
0	PP03	PLTD Merawang	Tiang Awal	20	SKTM	XLPE 240	17
1	PP03	Tiang Awal	Gardu P100	20	SUTM	A3C 240	729
2	PP03	Gardu P100	Gardu P222	20	SUTM	A3C 240	938
3	PP03	Gardu P222	Gardu P585	20	SUTM	A3C 240	961
4	PP03	Gardu P585	Gardu P088	20	SUTM	A3C 240	935
5	PP03	Gardu P088	Percabangan 1	20	SUTM	A3C 240	564
5.1 (6)	PP03	Percabangan 1	Gardu P781 (BTS)	20	SUTM		
5.2 (7)	PP03	Percabangan 1	Percabangan 2	20	SUTM	A3C 240	271
7.1 (8)	PP03	Percabangan 2	Gardu P002	20	SUTM	A3C 70	18
7.2 (9)	PP03	Percabangan 2	Percabangan 3	20	SUTM	A3C 240	98
9.1 (10)	PP03	Percabangan 3	Gardu P932	20	SUTM		
9.2 (11)	PP03	Percabangan 3	Gardu P093	20	SUTM	A3C 240	1689

12	PP03	Gardu P093	Gardu P111	20	SUTM	A3C 240	1958
13	PP03	Gardu P111	Percabangan 4	20	SUTM	A3C 240	95
13.1 (14)	PP03	Percabangan 4	Gardu P496	20	SUTM	A3C 150	171
15	PP03	Gardu P469	Gardu P651	20	SUTM	A3C 150	912
13.2 (16)	PP03	Percabangan 4	Gardu P003	20	SUTM	A3C 240	434
17	PP03	Gardu P003	Percabangan 5	20	SUTM	A3C 240	433
17.1 (18)	PP03	Percabangan 5	Jointing	20	SUTM	A3C 70	144
19	PP03	Jointing	Gardu P278	20	SUTM	A3C 150	63
17.2 (20)	PP03	Percabangan 5	Jointing	20	SUTM	A3C 240	467
21	PP03	Jointing	Jointing	20	SUTM	ACSR 240	247
22	PP03	Jointing	Percabangan 6	20	SUTM	A3C 240	1221
22.1 (23)	PP03	Percabangan 6	Gardu P069	20	SUTM	A3C 150	318
22.2 (24)	PP03	Percabangan 6	Percabangan 7 (P696)	20	SUTM	A3C 240	1097
24.1 (25)	PP03	Percabangan 7 (P696)	Gardu BTS	20	SUTM	A3C 150	398
26	PP03	Gardu BTS	Gardu P531	20	SUTM	A3C 150	199
24.2 (27)	PP03	Percabangan 7 (P696)	Gardu P004	20	SUTM	A3C 240	51
28	PP03	Gardu P004	Percabangan 8	20	SUTM	A3C 240	259
28.1 (29)	PP03	Percabangan 8	Gardu BTS	20	SUTM	A3C 150	376
28.2 (30)	PP03	Percabangan 8	Gardu P344	20	SUTM	A3C 240	840
31	PP03	Gardu P344	Percabangan 9 (P333)	20	SUTM	A3C 240	358
31.1 (32)	PP03	Percabangan 9 (P333)	LBS Manual	20	SUTM	A3C 70	332
33	PP03	LBS Manual	Percabangan 10	20	SUTM	A3C 70	298
33.1 (34)	PP03	Percabangan 10	Gardu P226				
33.2 (35)	PP03	Percabangan 10	Gardu P798	20	SUTM	A3C 70	1.433
36	PP03	Gardu P798	Gardu P186	20	SUTM	A3C 70	167
37	PP03	Gardu P186	Percabangan 11	20	SUTM	A3C 70	402
37.1 (38)	PP03	Percabangan 11	Gardu P795	20	SUTM	A3C 70	782
39	PP03	Gardu P795	Gardu P479	20	SUTM	A3C 70	50
37.2 (40)	PP03	Percabangan 11	Gardu P741	20	SUTM	A3C 70	76
41	PP03	Gardu P741	Gardu P994	20	SUTM	A3C 70	38
42	PP03	Gardu P994	Gardu 671	20	SUTM	A3C 70	39
43	PP03	Gardu P671	BTS XL	20	SUTM	A3C 70	658
44	PP03	BTS XL	BTS XL2	20	SUTM	A3C 70	78
45	PP03	BTS XL2	Gardu P080	20	SUTM	A3C 70	418
46	PP03	Gardu P080	Gardu P493	20	SUTM	A3C 70	79
47	PP03	Gardu P493	Percabangan 12 (P921)	20	SUTM	A3C 70	409



47.1 (48)	PP03	Percabangan 12 (P921)	LBS Manual Jade	20	SUTM	A3C 70	1278
49	PP03	LBS Manual Jade	Gardu P304	20	SUTM	A3C 70	1625
50	PP03	Gardu P304	Percabangan 13	20	SUTM	A3C 70	736
50.1 (51)	PP03	Percabangan 13	Gardu P736	20	SUTM	A3C 70	18
50.2 (52)	PP03	Percabangan 13	Gardu P240	20	SUTM	A3C 70	1262
47.2 (53)	PP03	Percabangan 12 (P921)	Gardu P698	20	SUTM	A3C 70	249
54	PP03	Gardu P698	Percabangan 14	20	SUTM	A3C 70	4036
54.1 (55)	PP03	Percabangan 14	Gardu P532	20	SUTM	A3C 70	475
54.2 (56)	PP03	Percabangan 14	Percabangan 15	20	SUTM	A3C 70	2258
56.1 (57)	PP03	Percabangan 15	Gardu P532	20	SUTM	A3C 70	475
56.2 (58)	PP03	Percabangan 15	Percabangan 16	20	SUTM	A3C 70	1129
58.1 (59)	PP03	Percabangan 16	Gardu P1006	20	SUTM		
58.2 (60)	PP03	Percabangan 16	Gardu P192	20	SUTM	A3C 70	1129
61	PP03	Gardu P192	LBS Manual Air Duren	20	SUTM		
62	PP03	LBS Manual Air Duren	Gardu P955	20	SUTM		
63	PP03	Gardu P955	Percabangan 17	20	SUTM		
63.1 (64)	PP03	Percabangan 17	Gardu P999	20	SUTM		
63.2 (65)	PP03	Percabangan 17	Gardu P954	20	SUTM		
66	PP03	Gardu P954	LBS Manual Tua Tunu	20	SUTM		
31.2 (67)	PP03	Percabangan 9 (P333)	Gardu P700	20	SUTM	A3C 240	209
68	PP03	Gardu P700	Gardu P005	20	SUTM	A3C 70	262
69	PP03	Gardu P005	Percabangan 18	20	SUTM	A3C 70	3022
69.1 (70)	PP03	Percabangan 18	Gardu P811	20	SUTM	A3C 70	82
69.2 (71)	PP03	Percabangan 18	Percabangan 19	20	SUTM	A3C 70	64
71.1 (72)	PP03	Percabangan 19	Gardu P849	20	SKTM	XLPE 240	621
73	PP03	Gardu P849	Gardu P481	20	SUTM	A3C 35	75
74	PP03	Gardu P481	Gardu P482	20	SKTM	XLPE 240	37
75	PP03	Gardu P482	Gardu P794	20	SUTM	A3C 35	64
71.2 (76)	PP03	Percabangan 19	ACR Selindung (Arah F4)	20	SUTM	A3C 240	676

## PENYULANG PP4

No	Nama Penyulang	Gardu / Keypoint / Percabangan		Tegangan (kV)	Saluran SUTM/SKTM	Jenis Penghantar	Panjang Meter
		Asal	Tujuan				
	1	2	3	4	5	6	7
0	PP04	PLTD Merawang	Tiang Awal	20	SKTM	XLPE 240	61
1	PP04	Tiang Awal	Tiang Kedua	20	SUTM	A3C 150	334
2	PP04	Tiang Kedua	Jointing	20	SUTM	A3C 240	1064
3	PP04	Jointing	Gardu P1036	20	SUTM	A3C 150	1324
4	PP04	Jointing	Jointing	20	SUTM	A3C 240	1671
5	PP04	Jointing	Gardu P566	20	SUTM	A3C 70	2005
6	PP04	Gardu P566	Gardu P066	20	SUTM	A3C 70	693
7	PP04	Gardu P066	Percabangan 1	20	SUTM	A3C 70	727
7.1 (8)	PP04	Percabangan 1	Gardu P209	20	SUTM	A3C 35	655
9	PP04	Gardu P209	Gardu P965				
7.2 (10)	PP04	Percabangan 1	Gardu P107	20	SUTM	A3C 70	2374
11	PP04	Gardu P107	Percabangan 2	20	SUTM	A3C 70	79
11.1 (12)	PP04	Percabangan 2	Gardu BTS XL	20	SUTM	A3C 150	25
11.2 (13)	PP04	Percabangan 2	Gardu P306	20	SUTM	A3C 70	1467
14	PP04	Gardu P306	Gardu P067	20	SUTM	A3C 70	955
15	PP04	Gardu P067	Percabangan 3	20	SUTM	A3C 70	2509
15.1 (16)	PP04	Percabangan 3	BTS XL (P748)	20	SUTM	A3C 70	28
15.2 (17)	PP04	Percabangan 3	Percabangan 4 (P068)	20	SUTM	A3C 70	151
17.1 (18)	PP04	Percabangan 4 (P068)	Gardu P716	20	SUTM	A3C 150	1120
19	PP04	Gardu P716	LBS Sempan (Ke Arah SL02)	20	SUTM	A3C 150	1957
17.2 (20)	PP04	Percabangan 4 (P068)	Gardu P598	20	SUTM	A3C 70	397
21	PP04	Gardu P598	Gardu P573	20	SUTM	A3C 70	317
22	PP04	Gardu P573	Gardu P926	20	SUTM	A3C 70	2721
23	PP04	Gardu P573	Gardu P675	20	SUTM	A3C 70	2721
24	PP04	Gardu P675	Gardu P138	20	SUTM	A3C 70	285
25	PP04	Gardu P138	Percabangan 5	20	SUTM	A3C 70	44
25.1 (26)	PP04	Percabangan 5	BTS P604 (TSEL Kayu)	20	SUTM	A3C 150	27
25.2 (27)	PP04	Percabangan 5	Gardu P557	20	SUTM	A3C 70	5875
28	PP04	Gardu P557	Gardu P139	20	SUTM	A3C 70	199
29	PP04	Gardu P139	Gardu P1011				
30	PP04	Gardu P1011	Percabangan 6	20	SUTM	A3C 70	248
30.1 (31)	PP04	Percabangan 6	LBS Puding (Arah F10)	20	SUTM	A3C 150	46

30.2 (32)	PP04	Percabangan 6	Gardu P269	20	SUTM	A3C 150	411
33	PP04	Gardu P269	ACR Saing	20	SUTM	A3C 150	283
34	PP04	ACR Saing	Percabangan 7	20	SUTM	A3C 150	5008
34.1 (35)	PP04	Percabangan 7	Gardu PAM Labu	20	SUTM	A3C 150	18
34.2 (36)	PP04	Percabangan 7	Gardu P166	20	SUTM	A3C 150	100
37	PP04	Gardu P166	LBS Labu	20	SUTM	A3C 150	3334
38	PP04	LBS Labu	Gardu P560	20	SUTM	A3C 150	2936
39	PP04	Gardu P560	BTS Telkom	20	SUTM	A3C 150	154
40	PP04	BTS Telkom	Gardu P167	20	SUTM	A3C 150	50
41	PP04	Gardu P167	Percabangan 8	20	SUTM	A3C 150	51
41.1 (42)	PP04	Percabangan 8	BTS P510 (XL NIB)	20	SUTM	A3C 150	17
41.2 (43)	PP04	Percabangan 8	Gardu P564	20	SUTM	A3C 150	3553
44	PP04	Gardu P564	Gardu P168	20	SUTM	A3C 150	399
45	PP04	Gardu P168	Gardu P169	20	SUTM	A3C 150	4005
46	PP04	Gardu P169	Percabangan 9	20	SUTM	A3C 150	158
46.1 (47)	PP04	Percabangan 9	BTS XL Saing	20	SUTM	A3C 150	19
46.2 (48)	PP04	Percabangan 9	Metering Outfit Saing	20	SUTM	A3C 150	67
49	PP04	Metering Outfit Saing	LBS Saing (Arah TP1)	20	SUTM	A3C 150	532

## PENYULANG PP5

	Nama Penyulang	Gardu / Keypoint / Percabangan		Tegangan (kV)	Saluran SUTM/SKTM	Jenis Penghantar	Panjang Meter
		Asal	Tujuan				
	1	2	3	4	5	6	7
0	PP05	PLTD Merawang	Tiang Awal	20	SKTM	XLPE 240	19
1	PP05	Tiang Awal	Tiang Kedua	20	SUTM	A3C 150	13
2	PP05	Tiang Kedua	Gardu P406	20	SUTM	A3C 240	4525
3	PP05	Gardu P406	Gardu P471	20	SUTM	A3C 240	916
4	PP05	Gardu P471	LBS Koramil 2	20	SUTM	A3C 240	1527
5	PP05	LBS Koramil 2	Gardu P449	20	SUTM	A3C 240	1528
6	PP05	Gardu P449	Gardu P391	20	SUTM	A3C 240	8247
7	PP05	Gardu P391	Percabangan 1	20	SUTM	A3C 240	440
7.1 (8)	PP05	Percabangan 1	Gardu P514	20	SUTM	A3C 150	176
7.2 (9)	PP05	Percabangan 1	Gardu BTS P	20	SUTM	A3C 240	127
10	PP05	Gardu BTS P	Percabangan 2	20	SUTM	A3C 240	364
10.1 (11)	PP05	Percabangan 2	Gardu P1010				
10.2 (12)	PP05	Percabangan 2	LBS Imigrasi	20	SUTM	A3C 240	365

13	PP05	LBS Imigrasi	Percabangan 3	20	SUTM	A3C 240	365
13.1 (14)	PP05	Percabangan 3	Percabangan 4	20	SUTM	A3C 150	89
14.1 (15)	PP05	Percabangan 4	Gardu P413	20	SUTM	A3C 150	89
14.1 (16)	PP05	Percabangan 4	Gardu P1065				
13.2 (17)	PP05	Percabangan 3	Tiang Akhir GH Kantor	20	SUTM	A3C 240	812
18	PP05	Tiang Akhir GH Kantor	GH Kantor	20	SUTM	A3C 240	50
19	PP05	GH Kantor	Tiang Awal GH Kantor	20	SUTM	A3C 240	48
20	PP05	Tiang Awal GH Kantor	Gardu P418	20	SUTM	A3C 240	141
21	PP05	Gardu P418	Gardu P789	20	SUTM	A3C 240	860
22	PP05	Gardu P789	Percabangan 5	20	SUTM	A3C 240	860
22.1 (23)	PP05	Percabangan 5	Gardu P936				
22.2 (24)	PP05	Percabangan 5	Gardu P446	20	SUTM	A3C 240	861
25	PP05	Gardu P446	Gardu P708	20	SUTM	A3C 240	52
26	PP05	Gardu P708	Gardu P991	20	SUTM	A3C 240	352
27	PP05	Gardu P991	Gardu P571	20	SUTM	A3C 240	353
28	PP05	Gardu P571	Tiang Akhir GH Theresia	20	SUTM	A3C 240	761
29	PP05	Tiang Akhir GH Theresia	GH Theresia	20	SKTM	XLPE 240	13
30	PP05	GH Theresia	Tiang Awal GH Theresia	20	SKTM	XLPE 240	28
31	PP05	Tiang Awal GH Theresia	Gardu P579	20	SUTM	A3C 150	331
32	PP05	Gardu P579	Gardu P448	20	SUTM	A3C 150	452
33	PP05	Gardu P448	Gardu P417	20	SUTM	A3C 150	217
34	PP05	Gardu P417	Gardu BTS P	20	SUTM	A3C 150	78
35	PP05	Gardu BTS P	Percabangan 6	20	SUTM	A3C 150	1173
35.1 (36)	PP05	Percabangan 6	Percabangan 7	20	SUTM	A3C 150	1173
36.1 (37)	PP05	Percabangan 7	Gardu P379	20	SUTM	A3C 70	342
38	PP05	Gardu P379	Gardu P276	20	SUTM	A3C 70	221
39	PP05	Gardu P276	Gardu P915	20	SUTM	A3C 150	306
40	PP05	Gardu P915	Percabangan 8	20	SUTM	A3C 150	303
40.1 (41)	PP05	Percabangan 8	Gardu P524	20	SUTM	A3C 150	50
40.2 (42)	PP05	Percabangan 8	Gardu P1071	20	SUTM	A3C 150	411
43	PP05	Gardu P1071	LBS Permata Residence	20	SUTM	A3C 150	412
44	PP05	LBS Permata Residence	BTS XL				
45	PP05	BTS XL	Percabangan 9 (P079)	20	SUTM	A3C 35	102
45.1 (46)	PP05	Percabangan 9 (P079)	Gardu P447	20	SUTM	A3C 70	206
47	PP05	Gardu P447	LBS Gub 3 (Arah Penyulang Malaysia)	20	SUTM	A3C 70	179

45.2 (48)	PP05	Percabangan 9 (P079)	Gardu P969	20	SUTM	A3C 150	124
49	PP05	Gardu P969	Gardu P817	20	SUTM	A3C 150	125
50	PP05	Gardu P817	Gardu P328	20	SUTM	A3C 150	266
51	PP05	Gardu P328	Gardu P815	20	SUTM	A3C 150	150
52	PP05	Gardu P815	Gardu P231	20	SUTM	A3C 150	156
53	PP05	Gardu P231	Gardu P941	20	SUTM	A3C 150	110
54	PP05	Gardu P941	Gardu P607	20	SUTM	A3C 150	110
45.3 (55)	PP05	Percabangan 9 (P079)	Gardu P959	20	SUTM	A3C 70	99
56	PP05	Gardu P959	Percabangan 10	20	SUTM	A3C 70	290
56.1 (57)	PP05	Percabangan 10	Gardu P453	20	SUTM	A3C 70	121
56.2 (58)	PP05	Percabangan 10	LBS Manual SMANDA	20	SUTM	A3C 70	344
59	PP05	LBS Manual SMANDA	Percabangan 11 (P123)	20	SUTM	A3C 70	345
59.1 (60)	PP05	Percabangan 11 (P123)	Gardu P463	20	SUTM	A3C 70	429
59.2 (61)	PP05	Percabangan 11 (P123)	Gardu P462	20	SUTM	A3C 70	205
62	PP05	Gardu P462	Gardu P608	20	SUTM	A3C 70	190
63	PP05	Gardu P608	Gardu P692	20	SUTM	A3C 70	107
64	PP05	Gardu P692	Gardu P281	20	SUTM	A3C 70	570
59.3 (65)	PP05	Percabangan 11 (P123)	Gardu P373	20	SUTM	A3C 50	333
66	PP05	Gardu P373	Gardu P882	20	SUTM	A3C 50	267
67	PP05	Gardu P882	Gardu P1000	20	SUTM	A3C 50	267
68	PP05	Gardu P1000	Gardu P178	20	SUTM	A3C 50	268
69	PP05	Gardu P178	Gardu P1017	20	SUTM	A3C 50	324
70	PP05	Gardu P1017	Gardu P434	20	SUTM	A3C 50	325
36.2 (71)	PP05	Percabangan 7	Gardu P064	20	SUTM	A3C 150	893
72	PP05	Gardu P064	Gardu P101	20	SUTM	A3C 150	786
73	PP05	Gardu P101	LBS Penerbang	20	SUTM	A3C 150	244
74	PP05	LBS Penerbang	Gardu P599	20	SUTM	A3C 150	245
75	PP05	Gardu P599	Gardu P763	20	SUTM	A3C 150	223
76	PP05	Gardu P763	Percabangan 12	20	SUTM	A3C 150	223
76.1 (77)	PP05	Percabangan 12	Gardu Bandara	20	SKTM	XLPE 240	18
76.2 (78)	PP05	Percabangan 12	LBS Bandara (Arah PP07)	20	SUTM	A3C 150	1
76.3 (79)	PP05	Percabangan 12	Percabangan 13 (P097)	20	SUTM	A3C 150	872
79.1 (80)	PP05	Percabangan 13 (P097)	Gardu P456	20	SUTM	A3C 70	588
79.2 (81)	PP05	Percabangan 13 (P097)	Gardu P960	20	SUTM	A3C 150	203
82	PP05	Gardu P960	Gardu P701	20	SUTM	A3C 150	203
83	PP05	Gardu P701	LBS SPBU Kejora (Arah F9)	20	SUTM	A3C 150	4187
35.2 (84)	PP05	Percabangan 6	LBS Parit 6 (Arah F4)	20	SUTM	A3C 70	389

## PENYULANG SINGAPORE

No	Nama Penyulang	Gardu / Keypoint / Percabangan		Tegangan (kV)	Saluran SUTM/ SKTM	Jenis Penghantar	Panjang Meter
		Asal	Tujuan				
	1	2	3	4	5	6	7
0	Singapore	PLTD Merawang	Tiang Awal	20	SKTM	XLPE 240	16
1	Singapore	Tiang Awal	Tiang Kedua	20	SUTM	A3C 240	2
2	Singapore	Tiang Kedua	Percabangan 1	20	SUTM	A3C 70	861
2.1 (3)	Singapore	Percabangan 1	Gardu P755	20	SUTM	A3C 70	80
2.2 (4)	Singapore	Percabangan 1	Percabangan 2	20	SUTM	A3C 70	269
4.1 (5)	Singapore	Percabangan 2	Gardu P175	20	SUTM	A3C 70	110
4.2 (6)	Singapore	Percabangan 2	LBS Koramil	20	SUTM	A3C 70	139
7	Singapore	LBS Koramil	Percabangan 3	20	SUTM	A3C 70	2325
8	Singapore	Percabangan 3	Gardu P982				
9	Singapore	Gardu P982	Gardu P983				
10	Singapore	Percabangan 3	Percabangan 4	20	SUTM	A3C 70	4652
10.1 (11)	Singapore	Percabangan 4	LBS Polsek Baturusa (Filipina)				
10.2 (12)	Singapore	Percabangan 4	LBS Air Anyir	20	SUTM	A3C 240	487
13	Singapore	LBS Air Anyir	Percabangan 5 (P244)	20	SUTM	A3C 240	2678,4
13.1 (14)	Singapore	Percabangan 5 (P244)	Percabangan 6	20	SUTM	A3C 70	951
14.1 (15)	Singapore	Percabangan 6	Gardu P737	20	SUTM	A3C 70	1785
14.2 (16)	Singapore	Percabangan 6	Tiang Akhir	20	SUTM	A3C 70	340
13.2 (17)	Singapore	Percabangan 5 (P244)	Gardu P326	20	SUTM	A3C 240	1920,3
18	Singapore	Gardu P326	Gardu P340	20	SUTM	A3C 240	1704,3
19	Singapore	Gardu P340	Percabangan 7	20	SUTM	A3C 240	2258
19.1 (20)	Singapore	Percabangan 7	Gardu P ?				
19.2 (21)	Singapore	Percabangan 7	Jointing	20	SUTM	A3C 240	2076
22	Singapore	Jointing	GI Air Anyir	20	SKTM	XLPE 240	216

## PENYULANG MALAYSIA

No	Nama Penyulang	Gardu / Keypoint / Percabangan		Tegangan (kV)	Saluran SUTM/ SKTM	Jenis Penghantar	Panjang Meter
		Asal	Tujuan				
	1	2	3	4	5	6	7
0	Malaysia	GI Air Anyir	Tiang Awal	20	SUTM	XLPE 240	169
1	Malaysia	Tiang Awal	Jointing SKTM	20	SUTM	A3C 150	967
2	Malaysia	Jointing SKTM	Jointing SUTM	20	SKTM	XLPE 240	438
3	Malaysia	Jointing SUTM	Percabangan 1	20	SUTM	A3C 150	1245
3.1 (4)	Malaysia	Percabangan 1	Gardu P1005	20	SUTM	A3C 70	162
5	Malaysia	Gardu P1005	Gardu P1063	20	SUTM	A3C 70	163

3.2 (6)	Malaysia	Percabangan 1	Gardu 1036	20	SUTM	A3C 150	43
7	Malaysia	Gardu 1036	LBS1	20	SUTM	A3C 150	43
8	Malaysia	LBS1	Gardu P1002	20	SUTM	A3C 150	43
9	Malaysia	Gardu P1002	Percabangan 2 (P663)	20	SUTM	A3C 150	43
9.1 (10)	Malaysia	Percabangan 2 (P663)	Gardu P976	20	SUTM	A3C 150	55
9.2 (11)	Malaysia	Percabangan 2 (P663)	Gardu P697	20	SUTM	A3C 150	663
12	Malaysia	Gardu P697	Percabangan 3	20	SUTM	A3C 150	937
12.1 (13)	Malaysia	Percabangan 3	Gardu P325	20	SUTM	A3C 150	48
14	Malaysia	Gardu P325	LBS Kartini (Arah Filipina)	20	SUTM	A3C 70	51
12.2 (15)	Malaysia	Percabangan 3	Percabangan 4	20	SUTM	A3C 70	412
15.1 (16)	Malaysia	Percabangan 4	Percabangan 5	20	SUTM	A3C 70	384
16.1 (17)	Malaysia	Percabangan 5	Gardu P208	20	SUTM	A3C 70	140
16.2 (18)	Malaysia	Percabangan 5	Gardu P919				
15.2 (19)	Malaysia	Percabangan 4	Gardu P644	20	SUTM	A3C 70	377
20	Malaysia	Gardu P644	Percabangan 6 (P215)	20	SUTM	A3C 150	449
20.1 (21)	Malaysia	Percabangan 6 (P215)	Gardu P726	20	SUTM	A3C 150	451
20.2 (22)	Malaysia	Percabangan 6 (P215)	Gardu P984	20	SUTM	A3C 70	182
23	Malaysia	Gardu P984	Gardu P403	20	SUTM	A3C 70	183
24	Malaysia	Gardu P403	Gardu P1056	20	SUTM	A3C 70	129
25	Malaysia	Gardu P1056	Jointing SKTM	20	SUTM	A3C 70	130
26	Malaysia	Jointing SKTM	Jointing SUTM	20	SKTM	XLPE 240	77
27	Malaysia	Jointing SUTM	Jointing	20	SUTM	A3C 240	124
28	Malaysia	Jointing	Gardu P404	20	SUTM	A3C 70	217
29	Malaysia	Gardu P404	Percabangan 7 (P010)	20	SUTM	A3C 70	197
29.1 (30)	Malaysia	Percabangan 7 (P010)	Gardu P321	20	SUTM	A3C 70	271
31	Malaysia	Gardu P321	Percabangan 8	20	SUTM	A3C 70	91
31.1 (32)	Malaysia	Percabangan 8	Gardu P073	20	SUTM	A3C 70	278
31.2 (33)	Malaysia	Percabangan 8	Gardu P310	20	SUTM	A3C 70	226
29.2 (34)	Malaysia	Percabangan 7 (P010)	Jointing	20	SUTM	A3C 70	50
35	Malaysia	Jointing	Jointing	20	SUTM	A3C 240	107
36	Malaysia	Jointing	Percabangan 9 (P095)	20	SUTM	A3C 70	100
36.1 (37)	Malaysia	Percabangan 9 (P095)	Gardu P383	20	SUTM	A3C 70	167
38	Malaysia	Gardu P383	Gardu P717	20	SUTM	A3C 70	266
39	Malaysia	Gardu P717	Gardu P827	20	SUTM	A3C 70	163
36.2 (40)	Malaysia	Percabangan 9 (P095)	Gardu BTS P839	20	SUTM	A3C 70	198
41	Malaysia	Gardu BTS P839	Percabangan 10 (P224)	20	SUTM	A3C 70	349
41.1 (42)	Malaysia	Percabangan 10 (P224)	Gardu P436	20	SUTM	A3C 70	224



41.2 (43)	Malaysia	Percabangan 10 (P224)	Gardu P376	20	SUTM	A3C 70	203
44	Malaysia	Gardu P376	Gardu P973	20	SUTM	A3C 70	131
45	Malaysia	Gardu P973	Gardu P011	20	SUTM	A3C 70	131
46	Malaysia	Gardu P011	Percabangan 11	20	SUTM	A3C 70	42
46.1 (47)	Malaysia	Percabangan 11	Gardu P622	20	SUTM	A3C 70	83
48	Malaysia	Gardu P622	Percabangan 12				
48.1 (49)	Malaysia	Percabangan 12	Gardu P978				
48.2 (50)	Malaysia	Percabangan 12	Gardu P897				
46.2 (51)	Malaysia	Percabangan 11	Gardu P1021				
52	Malaysia	Gardu P1021	Tiang Akhir				
53	Malaysia	Tiang Akhir	Gardu Hubung XXX				
36.3 (54)	Malaysia	Percabangan 9 (P095)	Percabangan 13 (P405)	20	SUTM	A3C 150	201
54.1 (55)	Malaysia	Percabangan 13 (P405)	Gardu P828	20	SUTM	A3C 150	155
54.2 (56)	Malaysia	Percabangan 13 (P405)	Gardu P218	20	SUTM	A3C 150	194
57	Malaysia	Gardu P218	Gardu P974	20	SUTM	A3C 150	180
58	Malaysia	Gardu P974	Gardu P544	20	SUTM	A3C 150	169
59	Malaysia	Gardu P544	LBS AL	20	SUTM	A3C 150	267
60	Malaysia	LBS AL	Percabangan 14 (P241)	20	SUTM	A3C 150	267
60.1 (61)	Malaysia	Percabangan 14 (P241)	LBS <i>Ketapang</i>	20	SUTM	A3C 150	46
62	Malaysia	LBS <i>Ketapang</i>	Percabangan 15	20	SUTM	A3C 150	110
62.1 (63)	Malaysia	Percabangan 15	Gardu P179	20	SUTM	A3C 70	62
62.2 (64)	Malaysia	Percabangan 15	Percabangan 16	20	SUTM	A3C 70	131
64.1 (65)	Malaysia	Percabangan 16	Percabangan 17 (P190)	20	SUTM	A3C 70	110
65.1 (66)	Malaysia	Percabangan 17 (P190)	Jointing	20	SUTM	A3C 70	16
67	Malaysia	Jointing	Gardu P658	20	SKTM	XLPE 240	106
65.2 (68)	Malaysia	Percabangan 17 (P190)	Gardu P179				
64.2 (69)	Malaysia	Percabangan 16	Percabangan 18	20	SUTM	A3C 70	126
69.1 (70)	Malaysia	Percabangan 18	Gardu P212	20	SUTM	A3C 70	101
69.2 (71)	Malaysia	Percabangan 18	Jointing	20	SUTM	A3C 70	242
72	Malaysia	Jointing	Gardu P659	20	SKTM	XLPE 240	9
60.2 (73)	Malaysia	Percabangan 14 (P241)	Gardu P1064	20	SUTM	A3C 240	267
74	Malaysia	Gardu P1064	Gardu P855	20	SUTM	A3C 240	268
75	Malaysia	Gardu P855	Gardu P783	20	SUTM	A3C 240	367
76	Malaysia	Gardu P783	Gardu P878	20	SUTM	A3C 240	284
77	Malaysia	Gardu P878	Jointing	20	SUTM	A3C 70	45
78	Malaysia	Jointing	Gardu P786	20	SUTM	A3C 240	360
79	Malaysia	Gardu P786	Percabangan 19	20	SUTM	A3C 240	417
79.1 (80)	Malaysia	Percabangan 19	Gardu P903 (PT 3 Sekawan)				
79.2 (81)	Malaysia	Percabangan 19	LBS 3 Sekawan	20	SUTM	A3C 240	209
82	Malaysia	LBS 3 Sekawan	Percabangan 20	20	SUTM	A3C 240	209



82.1 (83)	Malaysia	Percabangan 20	Gardu P656	20	SUTM	A3C 70	17
82.2 (84)	Malaysia	Percabangan 20	Percabangan 21	20	SUTM	A3C 240	358
84.1 (85)	Malaysia	Percabangan 21	Gardu P631	20	SUTM	A3C 70	42
84.2 (86)	Malaysia	Percabangan 21	Percabangan 22	20	SUTM	A3C 240	451
86.1 (87)	Malaysia	Percabangan 22	LBS ???	20	SUTM	A3C 70	681
88	Malaysia	LBS ???	Gardu P655	20	SUTM	A3C 70	50
86.2 (89)	Malaysia	Percabangan 22	Percabangan 23	20	SUTM	A3C 240	579
89.1 (90)	Malaysia	Percabangan 23	Gardu P907				
89.2 (91)	Malaysia	Percabangan 23	Percabangan 24	20	SUTM	A3C 240	579
91.1 (92)	Malaysia	Percabangan 24	Gardu P793				
91.2 (93)	Malaysia	Percabangan 24	Gardu P674	20	SUTM	A3C 240	404
94	Malaysia	Gardu P674	Percabangan 25 (P174)	20	SUTM	A3C 240	619
94.1 (95)	Malaysia	Percabangan 25 (P174)	Gardu P997	20	SUTM	A3C 50	362
96	Malaysia	Gardu P997	Gardu P1033	20	SUTM	A3C 50	221
97	Malaysia	Gardu P1033	Percabangan 26	20	SUTM	A3C 50	221
98	Malaysia	Percabangan 26	Gardu P196	20	SUTM	A3C 50	407
99	Malaysia	Percabangan 26	Gardu P883	20	SUTM	A3C 150	1014
100	Malaysia	Gardu P883	Gardu P173	20	SUTM	A3C 150	1014
94.2 (101)	Malaysia	Percabangan 25 (P174)	Percabangan 27	20	SUTM	A3C 50	432
101.1 (102)	Malaysia	Percabangan 27	Gardu P387	20	SUTM	A3C 35	335
101.2 (103)	Malaysia	Percabangan 27	Gardu P089	20	SUTM	A3C 50	517
104	Malaysia	Gardu P089	Gardu P323	20	SUTM	A3C 70	1127
105	Malaysia	Gardu P323	LBS Simp Pasir Padi	20	SUTM	A3C 70	227
106	Malaysia	LBS Simp. Pasir Padi	Percabangan 28 (P043)	20	SUTM	A3C 70	304
106.1 (107)	Malaysia	Percabangan 28 (P043)	Gardu P673	20	SUTM	A3C 70	303
108	Malaysia	Gardu P673	Percabangan 29	20	SUTM	A3C 70	209
108.1 (109)	Malaysia	Percabangan 29	Gardu P1032				
110	Malaysia	Gardu P1032	Gardu P880				
108.2 (111)	Malaysia	Percabangan 29	Percabangan 30	20	SUTM	A3C 70	210
111.1 (112)	Malaysia	Percabangan 30	Gardu P632	20	SUTM	A3C 70	36
111.2 (113)	Malaysia	Percabangan 30	Gardu P205	20	SUTM	A3C 70	36
114	Malaysia	Gardu P205	Gardu P728	20	SUTM	A3C 70	124
115	Malaysia	Gardu P728	Gardu P714	20	SUTM	A3C 70	286
116	Malaysia	Gardu P714	LBS Gub 3 (Arah PP05)	20	SUTM	A3C 70	115
106.2 (117)	Malaysia	Percabangan 28 (P043)	Gardu P469	20	SUTM	A3C 70	79
118	Malaysia	Gardu P469	Percabangan 31	20	SUTM	A3C 70	79
118.1 (119)	Malaysia	Percabangan 31	Gardu P454				
120	Malaysia	Gardu P454	Gardu P944				

118.2 (121)	Malaysia	Percabangan 31	Gardu P254	20	SUTM	A3C 70	79
122	Malaysia	Gardu P254	Percabangan 32	20	SUTM	A3C 70	136
122.1 (123)	Malaysia	Percabangan 32	FCO	20	SUTM	A3C 70	1
124	Malaysia	FCO	Percabangan 33	20	SUTM	A3C 70	226
124.1 (125)	Malaysia	Percabangan 33	FCO	20	SUTM	A3C 70	1
126	Malaysia	FCO	Gardu P517	20	SUTM	A3C 70	130
124.2 (127)	Malaysia	Percabangan 33	Percabangan 34	20	SUTM	A3C 70	57
127.1 (128)	Malaysia	Percabangan 34	Gardu P516	20	SUTM	A3C 70	54
127.2 (129)	Malaysia	Percabangan 34	Gardu P229	20	SUTM	A3C 70	106
130	Malaysia	Gardu P229	Gardu BTS	20	SUTM	A3C 150	223
131	Malaysia	Gardu BTS	Percabangan 35	20	SUTM	A3C 150	133
131.1 (132)	Malaysia	Percabangan 35	Gardu P848	20	SUTM	A3C 150	90
131.2 (133)	Malaysia	Percabangan 35	Gardu P518	20	SUTM	A3C 150	369
134	Malaysia	Gardu P518	Gardu P519	20	SUTM	A3C 150	375
122.2 (135)	Malaysia	Percabangan 32	LBS Gub 1 (Arah Indonesia)				

## PENYULANG INDONESIA

No	Nama Penyulang	Gardu / Keypoint / Percabangan		Tegangan (kV)	Saluran SUTM/SKTM	Jenis Penghantar	Panjang Meter
		Asal	Tujuan				
	1	2	3	4	5	6	7
0	Indonesia	GI Air Anyir	Tiang awal	20	SKTM	XLPE 240	134
1	Indonesia	Tiang awal	Jointing SKTM	20	SUTM	A3C 150	963
2	Indonesia	Jointing SKTM	Jointing SUTM	20	SKTM	XLPE 240	438
3	Indonesia	Jointing SUTM	Jointing SKTM	20	SUTM	A3C 150	3707
4	Indonesia	Jointing SKTM	Jointing SUTM	20	SKTM	XLPE 240	50
5	Indonesia	Jointing SUTM	Jointing	20	SUTM	A3C 70	1858
6	Indonesia	Jointing	Percabangan 1	20	SUTM	A3C 70	125
6.1 (7)	Indonesia	Percabangan 1	Pertamina (Gardu P307)	20	SUTM	A3C 70	32
6.2 (8)	Indonesia	Percabangan 1	Percabangan 2	20	SUTM	A3C 70	675
8.1 (9)	Indonesia	Percabangan 2	Tiang Awal GH Sumber Rejo	20	SUTM	A3C 70	1401
10	Indonesia	Tiang Awal GH Sumber Rejo	GH Sumber Rejo	20	SKTM	XLPE 240	19
8.2 (11)	Indonesia	Percabangan 2	Percabangan 3	20	SUTM		
11.1 (12)	Indonesia	Percabangan 3	Gardu P280	20	SUTM		
13	Indonesia	Gardu P280	Gardu P834	20	SUTM		
14	Indonesia	Gardu P834	Percabangan 4	20	SUTM		

14.1 (15)	Indonesia	Percabangan 4	KTR Pelayanan (Gardu P197)	20	SUTM		
14.2 (16)	Indonesia	Percabangan 4	LBS Basuki	20	SUTM		
17	Indonesia	LBS Basuki	Percabangan 5	20	SUTM		
17.1 (18)	Indonesia	Percabangan 5	Gardu Tinindo	20	SUTM		
17.2 (19)	Indonesia	Percabangan 5	Percabangan 6 (Gardu P646)	20	SUTM		
19.1 (20)	Indonesia	Percabangan 6 (Gardu P646)	Gardu BTS	20	SUTM		
19.2 (21)	Indonesia	Percabangan 6 (Gardu P646)	Gardu Jembatan Emas	20	SUTM		
22	Indonesia	Gardu Jembatan Emas	Gardu Sanjaya Fisherindo	20	SUTM		
11.2 (23)	Indonesia	Percabangan 3	Jointing SUTM	20	SUTM	A3C 150	1380
24	Indonesia	Jointing SUTM	LBS Wals	20	SUTM	A3C 240	4606
25	Indonesia	LBS Wals	Jointing	20	SUTM	A3C 70	510
26	Indonesia	Jointing	Jointing	20	SUTM	A3C 240	3056
27	Indonesia	Jointing	Tiang Akhir GH Air Hitam	20	SUTM	A3C 70	661
28	Indonesia	Tiang akhir	GH Air Itam	20	SKTM	XLPE 240	41
28.1 (29)	Indonesia	GH Air Itam (Percabangan)	Gardu P840	20	SUTM	A3C 70	31
30	Indonesia	Gardu P840	Percabangan 7	20	SUTM	A3C 70	45
30.1 (31)	Indonesia	Percabangan 7	DPRD Prov (Gardu P279)	20	SUTM	A3C 70	52
30.2 (32)	Indonesia	Percabangan 7	Percabangan 8 (Gardu P246)	20	SUTM	A3C 70	291
32.1 (33)	Indonesia	Percabangan 8 (Gardu P246)	Percabangan 9	20	SUTM	A3C 70	222
33.1 (34)	Indonesia	Percabangan 9	KTR Gubernur (Gardu P270)	20	SUTM	A3C 70	28
33.2 (35)	Indonesia	Percabangan 9	Gardu P1031	20	SUTM	A3C 70	39
36	Indonesia	Gardu P1031	Percabangan 10	20	SUTM	A3C 70	302
36.1 (37)	Indonesia	Percabangan 10	Gardu P271	20	SUTM	A3C 70	42
36.2 (38)	Indonesia	Percabangan 10	Gardu P272	20	SUTM	A3C 70	359
39	Indonesia	Gardu P272	Gardu P970	20	SUTM	A3C 70	285
40	Indonesia	Gardu P970	RM Dinas Gubernur	20	SKTM	XLPE 240	88
32.2 (41)	Indonesia	Percabangan 8 (Gardu P246)	Percabangan 11	20	SUTM	A3C 150	135
41.1 (42)	Indonesia	Percabangan 11	Gardu P818	20	SUTM	A3C 70	15
41.2 (43)	Indonesia	Percabangan 11	Percabangan 12	20	SUTM	A3C 150	100
43.1 (44)	Indonesia	Percabangan 12	FCO	20	SUTM	A3C 70	1
45	Indonesia	FCO	BPK (Gardu P723)	20	SUTM	A3C 70	45
43.2 (46)	Indonesia	Percabangan 12	Percabangan 13	20	SUTM	A3C 150	657
46.1 (47)	Indonesia	Percabangan 13	Kehutanan (Gardu P498)	20	SUTM	A3C 150	253
48	Indonesia	Kehutanan (Gardu P498)	Akper (Gardu P754)	20	SUTM	A3C 150	100
49	Indonesia	Akper (Gardu P754)	LBS Motorised Gub 2 (NO) penyulang PP7/F5	20	SUTM	A3C 150	537
46.2 (50)	Indonesia	Percabangan 13	BTS (Gardu no label)	20	SUTM	A3C 150	550
51	Indonesia	BTS (Gardu no label)	Percabangan 14	20	SUTM	A3C 150	551
51.1 (52)	Indonesia	Percabangan 14	FCO	20	SUTM	A3C 70	1
53	Indonesia	FCO	Gardu P515	20	SUTM	A3C 70	28

51.2 (54)	Indonesia	Percabangan 14	Percabangan 15	20	SUTM	A3C 150	998
54.1 (55)	Indonesia	Percabangan 15	Bandara Baru (Gardu P931)	20	SUTM		
54.2 (56)	Indonesia	Percabangan 15	Percabangan 16	20	SUTM	A3C 150	1806
56.1 (57)	Indonesia	Percabangan 16	GOR (Gardu P505)	20	SUTM	A3C 150	331
56.2 (58)	Indonesia	Percabangan 16	Percabangan 17	20	SUTM	A3C 150	2022
58.1 (59)	Indonesia	Percabangan 17	Gardu P457	20	SUTM	A3C 70	190
60	Indonesia	Gardu P457	Percabangan 18	20	SUTM	A3C 150	27
60.1 (61)	Indonesia	Percabangan 18	Gardu P812	20	SUTM	A3C 70	453
60.2 (62)	Indonesia	Percabangan 18	Gardu P164	20	SUTM	A3C 70	629
63	Indonesia	Gardu P164	Gardu P458	20	SUTM	A3C 70	793
58.2 (64)	Indonesia	Percabangan 17	Percabangan 19	20	SUTM	A3C 150	1247
64.1 (65)	Indonesia	Percabangan 19	Gardu P612	20	SUTM	A3C 70	41
64.2 (66)	Indonesia	Percabangan 19	Jointing	20	SUTM	A3C 70	100
67	Indonesia	Jointing	Percabangan 20	20	SUTM	A3C 150	555
67.1 (68)	Indonesia	Percabangan 20	LBS Arah PLTD Koba	20	SUTM	A3C 150	1
67.2 (69)	Indonesia	Percabangan 20	FCO	20	SUTM	A3C 70	121
70	Indonesia	FCO	Gardu P130	20	SUTM	A3C 150	415
67.3 (71)	Indonesia	Percabangan 20	LBS Aston Sol Marina	20	SUTM	A3C 70	117
72	Indonesia	LBS Aston Sol Marina	Aston Sol Marina	20	SUTM	A3C 70	119
28.2 (73)	Indonesia	GH Air Itam (Percabangan)	Tiang Awal	20	SKTM	XLPE 240	46
74	Indonesia	Tiang Awal	Percabangan 21	20	SUTM	A3C 70	224
74.1 (75)	Indonesia	Percabangan 21	Gardu P923				
74.2 (76)	Indonesia	Percabangan 21	LBS 3 W	20	SUTM	A3C 70	224
77	Indonesia	LBS 3 W	Gardu P723	20	SUTM	A3C 70	225
78	Indonesia	Gardu P723	Gardu P284	20	SUTM	A3C 70	52
79	Indonesia	Gardu P284	Gardu P337	20	SUTM	A3C 70	69
80	Indonesia	Gardu P337	Gardu P247	20	SUTM	A3C 70	57
81	Indonesia	Gardu P247	Gardu P301	20	SUTM	A3C 70	103
82	Indonesia	Gardu P301	Percabangan 22	20	SUTM	A3C 70	105
82.1 (83)	Indonesia	Percabangan 22	Gardu P775	20	SUTM	A3C 70	25
82.2 (84)	Indonesia	Percabangan 22	Percabangan 23 (Gardu P303)	20	SUTM	A3C 70	269
84.1 (85)	Indonesia	Percabangan 23 (Gardu P303)	Diknas (Gardu P285)	20	SUTM	A3C 70	38
86	Indonesia	Diknas (Gardu P285)	Gardu P800	20	SUTM	A3C 70	124
87	Indonesia	Gardu P800	Gardu P801	20	SUTM	A3C 70	124
88	Indonesia	Gardu P801	Gardu P802	20	SUTM	A3C 70	186
84.2 (89)	Indonesia	Percabangan 23 (Gardu P303)	Percabangan 24	20	SUTM	A3C 70	34
89.1 (90)	Indonesia	Percabangan 24	BIN (Gardu P371)	20	SUTM	A3C 70	37
89.2 (91)	Indonesia	Percabangan 24	Percabangan 25	20	SUTM	A3C 70	96
91.1 (92)	Indonesia	Percabangan 25	Gardu P771	20	SUTM	A3C 70	83
91.2 (93)	Indonesia	Percabangan 25	Percabangan 26	20	SUTM	A3C 70	276
93.1 (94)	Indonesia	Percabangan 26	LPMP (Gardu P203)	20	SUTM	A3C 70	55
93.2 (95)	Indonesia	Percabangan 26	Percabangan 27	20	SUTM	A3C 70	80
95.1 (96)	Indonesia	Percabangan 27	Unindo (Gardu P273)	20	SUTM	A3C 150	595
95.2 (97)	Indonesia	Percabangan 27	Percabangan 28	20	SUTM	A3C 150	50

97.1 (98)	Indonesia	Percabangan 28	FCO	20	SUTM	A3C 150	4033
99	Indonesia	FCO	Gardu P871	20	SUTM	A3C 150	319
100	Indonesia	Gardu P871	Percabangan 29	20	SUTM	A3C 70	556
100.1 (101)	Indonesia	Percabangan 29	Gardu P681	20	SUTM	A3C 70	556
100.1 (102)	Indonesia	Percabangan 29	Gardu P910	20	SUTM	A3C 70	202
97.2 (103)	Indonesia	Percabangan 28	ACR Padang Baru	20	SUTM	A3C 150	50
104		ACR Padang Baru	Percabangan 30	20	SUTM	A3C 150	545
104.1 (105)	Indonesia	Percabangan 30	Gardu P232	20	SUTM	A3C 35	100
106	Indonesia	Gardu P232	Gardu P874	20	SUTM	A3C 35	150
107	Indonesia	Gardu P874	Percabangan 31 (Gardu P185)	20	SUTM	A3C 35	1103
107.1 (108)	Indonesia	Percabangan 31 (Gardu P185)	Gardu P527	20	SUTM	A3C 35	321
107.2 (109)	Indonesia	Percabangan 31 (Gardu P185)	Percabangan 32	20	SUTM	A3C 35	127
109.1 (110)	Indonesia	Percabangan 32	Percabangan 33	20	SUTM	A3C 70	227
110.1 (111)	Indonesia	Percabangan 33	Gardu P680	20	SUTM		
110.2 (112)	Indonesia	Percabangan 33	Gardu P679	20	SUTM	A3C 70	43
113	Indonesia	Gardu P679	Tiang Akhir	20	SUTM	A3C 70	144
109.2 (114)	Indonesia	Percabangan 32	Gardu P875	20	SUTM	A3C 35	475
115	Indonesia	Gardu P875	Gardu P435	20	SUTM	A3C 35	351
104.2 (116)	Indonesia	Percabangan 30	Gardu P873	20	SUTM	A3C 35	403
117	Indonesia	Gardu P873	Percabangan 34 (Gardu P182)	20	SUTM	A3C 35	347
117.1 (118)	Indonesia	Percabangan 34 (Gardu P182)	Kebintik (Gardu P577)	20	SUTM	A3C 35	811
119	Indonesia	Kebintik (Gardu P577)	Gardu P199	20	SUTM	A3C 35	387
120	Indonesia	Gardu P199	LBS Sampur	20	SUTM	A3C 35	300
121	Indonesia	LBS Sampur	Percabangan 35 (Gardu P350)	20	SUTM	A3C 35	256
121.1 (122)	Indonesia	Percabangan 35 (Gardu P350)	Jointing	20	SUTM	A3C 240	50
123	Indonesia	Jointing	Gardu P180	20	SUTM	A3C 70	161
121.2 (124)	Indonesia	Percabangan 35 (Gardu P350)	Gardu P145	20	SUTM	A3C 150	797
125	Indonesia	Gardu P145	LBS Gub 1 (NO) arah Malaysia	20	SUTM	A3C 150	260
117.2 (126)	Indonesia	Percabangan 34 (Gardu P182)	Gardu no label	20	SUTM	A3C 35	248
127	Indonesia	Gardu no label	Percabangan 36 (Gardu P198)	20	SUTM	A3C 35	249
127.1 (128)	Indonesia	Percabangan 36 (Gardu P198)	Gardu P583	20	SUTM	A3C 35	759

129	Indonesia	Gardu P583	Gardu P797	20	SUTM	A3C 35	277
130	Indonesia	Gardu P797	Gardu P184	20	SUTM	A3C 35	59
131	Indonesia	Gardu P184	Gardu P322	20	SUTM	A3C 35	381
132	Indonesia	Gardu P322	Gardu P966	20	SUTM	A3C 150	850
127.2 (133)	Indonesia	Percabangan 36 (Gardu P198)	Percabangan 37	20	SUTM	A3C 35	258
133.1 (134)	Indonesia	Percabangan 37	FCO	20	SUTM	A3C 35	50
135	Indonesia	FCO	Gardu P385	20	SUTM	A3C 35	200
136	Indonesia	Gardu P385	Gardu P275	20	SUTM	A3C 35	1078
137	Indonesia	Gardu P275	Gardu P384	20	SUTM	A3C 150	818
138	Indonesia	Gardu P384	Jointing	20	SUTM	A3C 70	49
139	Indonesia	Jointing	Percabangan 38	20	SUTM	A3C 150	977
139.1 (140)	Indonesia	Percabangan 38	Gardu P962		SUTM		
139.2 (141)	Indonesia	Percabangan 38	Gardu P163	20	SUTM	A3C 70	554
142	Indonesia	Gardu P163	LBS Manual Sambong (Arah F9)	20	SUTM	A3C 70	1193
133.2 (143)	Indonesia	Percabangan 37	Gardu P584	20	SUTM	A3C 35	158
144	Indonesia	Gardu P584	LBS Manual Merengkan	20	SUTM	A3C 35	292
145	Indonesia	LBS Manual Merengkan	Gardu P724	20	SUTM	A3C 35	210
146	Indonesia	Gardu P724	Gardu P183	20	SUTM	A3C 35	480
147	Indonesia	Gardu P183	Percabangan 39	20	SUTM	A3C 35	1475
147.1 (148)	Indonesia	Percabangan 39	Barak Brimob (Gardu P282)	20	SUTM	A3C 70	466
147.2 (149)	Indonesia	Percabangan 39	Gardu P750	20	SUTM	A3C 35	414
150	Indonesia	Gardu P750	LBS Makobrimob	20	SUTM	A3C 35	351
151	Indonesia	LBS Makobrimob	Gardu P831	20	SUTM	A3C 35	270
152	Indonesia	Gardu P831	SPAM (Gardu P833)	20	SUTM	A3C 35	444
153	Indonesia	SPAM (Gardu P833)	BTS (Gardu P773)	20	SUTM	A3C 35	45
154	Indonesia	BTS (Gardu P773)	Percabangan 40 (Gardu P256)	20	SUTM	A3C 35	88
154.1 (155)	Indonesia	Percabangan 40 (Gardu P256)	BTS (Gardu P478)	20	SUTM	A3C 70	27
154.2 (156)	Indonesia	Percabangan 40 (Gardu P256)	Gardu P832	20	SUTM	A3C 35	117
157	Indonesia	Gardu P832	Gardu P189	20	SUTM	A3C 35	66
158	Indonesia	Gardu P189	Gardu P943	20	SUTM	A3C 35	639
159	Indonesia	Gardu P943	BTS (Gardu P752)	20	SUTM	A3C 35	639
160	Indonesia	BTS (Gardu P752)	Percabangan 41 (Gardu P187)	20	SUTM	A3C 35	639
160.1 (161)	Indonesia	Percabangan 41 (Gardu P187)	Gardu P188	20	SUTM	A3C 35	938
162	Indonesia	Gardu P188	Percabangan 42	20	SUTM	A3C 150	500
162.1 (163)	Indonesia	Percabangan 42	Bukit Kijang (Gardu P725)	20	SUTM	A3C 150	853



162.2 (164)	Indonesia	Percabangan 42	Percabangan 43	20	SUTM	A3C 35	1161
164.1 (165)	Indonesia	Percabangan 43	BTS (Gardu P627)	20	SUTM	A3C 35	146
164.2 (166)	Indonesia	Percabangan 43	Gardu P249	20	SUTM	A3C 35	1015
167	Indonesia	Gardu P249	Gardu P250	20	SUTM	A3C 35	999
168	Indonesia	Gardu P250	Gardu P251	20	SUTM	A3C 70	1904
160.2 (169)	Indonesia	Percabangan 41 (Gardu P187)	Gardu 341	20	SUTM	A3C 70	943
170	Indonesia	Gardu P341	Gardu P908	20	SUTM	A3C 70	546
171	Indonesia	Gardu P908	Percabangan 44	20	SUTM	A3C 70	327
171.1 (172)	Indonesia	Percabangan 44	Gardu P724	20	SUTM	A3C 70	514
171.2 (173)	Indonesia	Percabangan 44	Gardu P900	20	SUTM	A3C 70	53

## PENYULANG THAILAND

No	Nama Penyulang	Gardu / Keypoint / Percabangan		Tegangan (kV)	Saluran SUTM/ SKTM	Jenis Penghantar	Panjang Meter
		Asal	Tujuan				
	1	2	3	4	5	6	7
0	Thailand	PLTD Merawang	Tiang Awal	20	SKTM	XLPE 240	374
1	Thailand	Tiang Awal	Gardu P442	20	SUTM	A3C 70	1550
2	Thailand	Gardu P442	Percabangan 1	20	SUTM	A3C 70	6892
2.1 (3)	Thailand	Percabangan 1	Gardu P349	20	SUTM	A3C 70	33
2.2 (4)	Thailand	Percabangan 1	Jointing SUTM				
5	Thailand	Jointing SUTM	Jointing SKTM	20	SUTM	A3C 70	8012
6	Thailand	Jointing SKTM	Percabangan 2				
6.1 (7)	Thailand	Percabangan 2	Jointing SUTM	20	SKTM	XLPE 240	50
8	Thailand	Jointing SUTM	Gardu P615	20	SUTM	A3C 150	1052
9	Thailand	Gardu P615	LBS PEPABRI Selindung	20	SUTM	A3C 150	1052
10	Thailand	LBS PEPABRI Selindung	Jointing SKTM	20	SUTM	A3C 150	1053
11	Thailand	Jointing SKTM	Gardu Air Anyir	20	SKTM	XLPE 240	1592
6.2 (12)	Thailand	Percabangan 2	LBS Selindung	20	SUTM	A3C 70	2152
13	Thailand	LBS Selindung	Gardu P959	20	SUTM	A3C 70	2153
14	Thailand	Gardu P959	Gardu P669	20	SUTM	A3C 70	1092
15	Thailand	Gardu P669	LBS SMP 7	20	SUTM	A3C 150	310
16	Thailand	LBS SMP 7	Gardu P298	20	SUTM	A3C 150	97
17	Thailand	Gardu P298	Jointing	20	SUTM	A3C 150	85
18	Thailand	Jointing	Percabangan 3	20	SKTM	XLPE 240	26
18.1 (19)	Thailand	Percabangan 3	Gardu P971	20	SUTM	A3C 150	81
20	Thailand	Gardu P971	Gardu P504	20	SUTM	A3C 150	1773
21	Thailand	Gardu P504	GI Kampak	20	SKTM	XLPE 240	83
18.2 (22)	Thailand	Percabangan 3	Gardu P917	20	SUTM	A3C 150	600

23	Thailand	Gardu P917	Gardu P295	20	SUTM	A3C 150	402
24	Thailand	Gardu P295	Gardu P578	20	SUTM	A3C 150	303
25	Thailand	Gardu P578	Gardu P294	20	SUTM	A3C 150	457
26	Thailand	Gardu P294	LBS Lembawai	20	SUTM	A3C 70	112
27	Thailand	LBS Lembawai	Gardu P582	20	SUTM	A3C 70	378
28	Thailand	Gardu P582	Gardu P546	20	SUTM	A3C 70	698
29	Thailand	Gardu P546	Jointing	20	SUTM	A3C 70	2167
30	Thailand	Jointing	Tiang Akhir	20	SUTM	A3c 150	333
31	Thailand	Tiang Akhir	GH Theresia	20	SKTM	XLPE 240	19
32	Thailand	GH Theresia	Tiang Awal	20	SKTM	XLPE 240	21
33	Thailand	Tiang Awal	Gardu P034	20	SUTM	A3C 150	59
34	Thailand	Gardu P034	Percabangan 4 (P118)	20	SUTM	A3C 150	470
34.1 (35)	Thailand	Percabangan 4 (P118)	Gardu P621	20	SUTM	A3C 70	370
34.2 (36)	Thailand	Percabangan 4 (P118)	Percabangan 5	20	SUTM	A3C 150	368
36.1 (37)	Thailand	Percabangan 5	LBS Walikota	20	SUTM	A3C 70	244
38	Thailand	LBS Walikota	Percabangan 6	20	SUTM	A3C 70	109
38.1 (39)	Thailand	Percabangan 6	Gardu P657	20	SUTM	A3C 70	82
38.2 (40)	Thailand	Percabangan 6	Percabangan 7	20	SUTM	A3C 70	20
40.1 (41)	Thailand	Percabangan 7	Gardu P1049	20	SUTM	A3C 70	63
40.2 (42)	Thailand	Percabangan 7	Gardu P027	20	SUTM	A3C 70	63
43	Thailand	Gardu P027	Gardu P804	20	SUTM	A3C 70	52
44	Thailand	Gardu P804	Percabangan 8	20	SUTM	A3C 70	363
44.1 (45)	Thailand	Percabangan 8	Gardu P134	20	SUTM	A3C 70	45
46	Thailand	Gardu P134	Gardu P433	20	SUTM	A3C 150	230
47	Thailand	Gardu P433	Gardu P886	20	SUTM	A3C 150	330
44.2 (48)	Thailand	Percabangan 8	Percabangan 9 (P112)	20	SUTM	A3C 150	261
48.1 (49)	Thailand	Percabangan 9 (P112)	Gardu P820	20	SUTM	A3C 150	139
50	Thailand	Gardu P820	Gardu P390	20	SUTM	A3C 150	281
51	Thailand	Gardu P390	Gardu P170	20	SUTM	A3C 150	789
52	Thailand	Gardu P170	Gardu P821	20	SUTM	A3C 150	101
53	Thailand	Gardu P821	Gardu P...	20	SUTM	A3C 150	98
54	Thailand	Gardu P...	Gardu P629	20	SUTM	A3C 150	99
48.2 (55)	Thailand	Percabangan 9 (P112)	Gardu P860	20	SUTM	A3C 150	204
56	Thailand	Gardu P860	Percabangan 10 (P217)	20	SUTM	A3C 150	211
56.1 (57)	Thailand	Percabangan 10 (P217)	Gardu P540	20	SUTM	A3C 150	207
56.2 (58)	Thailand	Percabangan 10 (P217)	Gardu P565	20	SUTM	A3C 150	189
59	Thailand	Gardu P565	Gardu P791	20	SUTM	A3C 150	96
60	Thailand	Gardu P791	Gardu P985	20	SUTM	A3C 150	81
61	Thailand	Gardu P985	Percabangan 11 (P103)	20	SUTM	A3C 150	80
61.1 (62)	Thailand	Percabangan 11 (P103)	Gardu P494	20	SUTM	A3C 240	131



61.2 (63)	Thailand	Percabangan 11 (P103)	Gardu P556	20	SUTM	A3C 150	325
64	Thailand	Gardu P556	LBS Manual	20	SUTM	A3C 150	325
36.2 (65)	Thailand	Percabangan 5	Percabangan 12 (P026)	20	SUTM	A3C 150	143
65.1 (66)	Thailand	Percabangan 12 (P026)	Gardu P536	20	SUTM	A3C 150	263
67	Thailand	Gardu P536	Gardu P819	20	SUTM	A3C 150	322
65.2 (68)	Thailand	Percabangan 12 (P026)	Gardu P411	20	SUTM	A3C 150	208
69	Thailand	Gardu P411	Percabangan 13	20	SUTM	A3C 150	55
69.1 (70)	Thailand	Percabangan 13	Gardu P602	20	SUTM	A3C 70	91
71	Thailand	Gardu P602	Gardu P895	20	SUTM	A3C 70	60
69.2 (72)	Thailand	Percabangan 13	Gardu P367	20	SUTM	A3C 70	137
73	Thailand	Gardu P367	Gardu P964	20	SUTM	A3C 150	102
74	Thailand	Gardu P964	Gardu P395	20	SUTM	A3C 150	103
75	Thailand	Gardu P395	Percabangan 14 (P204)	20	SUTM	A3C 150	134
75.1 (76)	Thailand	Percabangan 14 (P204)	Gardu P988	20	SUTM	A3C 70	119
77	Thailand	Gardu P988	Gardu P031	20	SUTM	A3C 70	120
78	Thailand	Gardu P031	Gardu P963	20	SUTM	A3C 150	123
79	Thailand	Gardu P963	Gardu P329	20	SUTM	A3C 150	124
75.2 (80)	Thailand	Percabangan 14 (P204)	Gardu P937	20	SUTM	A3C 70	212
81	Thailand	Gardu P937	Percabangan 15 (P037)	20	SUTM	A3C 70	212
81.1 (82)	Thailand	Percabangan 15 (P037)	Gardu P047	20	SUTM	A3C 150	28
81.2 (83)	Thailand	Percabangan 15 (P037)	Percabangan 16	20	SUTM	A3C 70	347
83.1 (84)	Thailand	Percabangan 16	Gardu P597	20	SUTM	A3C 150	29
83.2 (85)	Thailand	Percabangan 16	Percabangan 17 (ACR RSUD)	20	SUTM	A3C 70	52
85.1 (86)	Thailand	Percabangan 17 (ACR RSUD)	Gardu P047	20	SUTM	A3C 70	39
85.2 (87)	Thailand	Percabangan 17 (ACR RSUD)	Percabangan 18 (P468)	20	SUTM	A3C 70	51
87.1 (88)	Thailand	Percabangan 18 (P468)	Jointing	20	SUTM	A3C 35	484
89	Thailand	Jointing	LBS Motorized	20	SUTM	A3C 240	392
90	Thailand	LBS Motorized	Percabangan 19	20	SUTM	A3C 240	298
90.1 (91)	Thailand	Percabangan 19	Jointng SKTM	20	SUTM	A3C 240	21
90.2 (92)	Thailand	Jointng SKTM	Gardu Bolesa (P181)	20	SKTM	XLPE 240	7
93	Thailand	Percabangan 19	Gardu Bolesa 2	20	SKTM	XLPE 240	298
87.2 (94)	Thailand	Percabangan 18 (P468)	Percabangan 20 (P124)	20	SUTM	A3C 150	244
94.1 (95)	Thailand	Percabangan 20 (P124)	LBS Manual	20	SUTM	A3C 150	331
94.2 (96)	Thailand	Percabangan 20 (P124)	Percabangan 21 (P938)	20	SUTM	A3C 150	154

96.1 (97)	Thailand	Percabangan 21 (P938)	Gardu P649	20	SUTM	A3C 240	40
98	Thailand	Gardu P649	Gardu P749	20	SUTM	A3C 150	13
96.2 (99)	Thailand	Percabangan 21 (P938)	LBS Green Garden	20	SUTM	A3C 150	211
100	Thailand	LBS Green Garden	Gardu P386	20	SUTM	A3C 150	211
101	Thailand	Gardu P386	Percabangan 22	20	SUTM	A3C 150	48
101.1 (102)	Thailand	Percabangan 22	Gardu Giant (P899)	20	SKTM	XLPE 240	97
101.2 (103)	Thailand	Percabangan 22	Percabangan 23	20	SUTM	A3C 150	153
103.1 (104)	Thailand	Percabangan 23	Gardu Hypermart (P939)	20	SKTM	XLPE 240	11
103.2 (105)	Thailand	Percabangan 23	Percabangan 24 (P053)	20	SUTM	A3C 150	99
105.1 (106)	Thailand	Percabangan 24 (P053)	FCO	20	SUTM	A3C 150	146
107	Thailand	FCO	Percabangan 25	20	SUTM	A3C 150	146
107.1 (108)	Thailand	Percabangan 25	Gardu P722	20	SUTM	A3C 150	146
107.2 (109)	Thailand	Percabangan 25	Gardu Siloam (P1009)				
105.2 (110)	Thailand	Percabangan 24 (P053)	Gardu P989	20	SUTM	A3C 150	89
111	Thailand	Gardu P989	Gardu P286	20	SUTM	A3C 150	178
112	Thailand	Gardu P286	Percabangan 26	20	SUTM	A3C 150	21
112.1 (113)	Thailand	Percabangan 26	Percabangan 27	20	SUTM	A3C 70	214
113.1 (114)	Thailand	Percabangan 27	Gardu P136	20	SUTM	A3C 70	37
113.2 (115)	Thailand	Percabangan 27	Gardu P611	20	SUTM	A3C 150	305
112.2 (116)	Thailand	Percabangan 26	Gardu P396	20	SUTM	A3C 150	25
117	Thailand	Gardu P396	Percabangan 28	20	SUTM	A3C 150	103
117.1 (118)	Thailand	Percabangan 28	Gardu P210	20	SUTM	A3C 70	125
117.2 (119)	Thailand	Percabangan 28	Percabangan 29	20	SUTM	A3C 150	48
119.1 (120)	Thailand	Percabangan 29	Gardu Novotel (P283)	20	SKTM	XLPE 240	266
119.2 (121)	Thailand	Percabangan 29	Gardu P940	20	SUTM	A3C 150	100
122	Thailand	Gardu P940	Percabangan 30	20	SUTM	A3C 150	100
122.1 (123)	Thailand	Percabangan 30	Gardu P1047				
122.2 (124)	Thailand	Percabangan 30	Percabangan 31	20	SUTM	A3C 150	101
124.1 (125)	Thailand	Percabangan 31	Gardu Jagorawi	20	SKTM	XLPE 240	25
124.2 (126)	Thailand	Percabangan 31	Percabangan 32	20	SUTM	A3C 150	52
126.1 (127)	Thailand	Percabangan 32	Percabangan 33 (P506)	20	SUTM	A3C 150	1478
127.1 (128)	Thailand	Percabangan 33 (P506)	Gardu P1028				
127.2 (129)	Thailand	Percabangan 33 (P506)	Percabangan 34	20	SUTM	A3C 70	1319
129.1 (130)	Thailand	Percabangan 34	Gardu P616	20	SUTM	A3C 150	469
129.2 (131)	Thailand	Percabangan 34	Gardu BTS				
132	Thailand	Gardu BTS	Gardu P1030				
126.2 (133)	Thailand	Percabangan 32	Percabangan 35	20	SUTM	A3C 150	56
133.1 (134)	Thailand	Percabangan 35	Gardu P096	20	SUTM	A3C 150	65
135	Thailand	Gardu P096	Gardu P570	20	SUTM	A3C 150	476
136	Thailand	Gardu P370	Gardu P813	20	SUTM	A3C 150	119
137	Thailand	Gardu P813	Gardu P044	20	SUTM	A3C 150	546

138	Thailand	Gardu P044	Gardu P324	20	SUTM	A3C 150	188
133.2 (139)	Thailand	Percabangan 35	Percabangan 36	20	SUTM	A3C 150	151
139.1 (140)	Thailand	Percabangan 36	Gardu P1048				
139.2 (141)	Thailand	Percabangan 36	Percabangan 37 (LBS Polwan)				
141.1 (142)	Thailand	Percabangan 37 (LBS Polwan)	Gardu P1047	20	SUTM	A3C 150	40
141.2 (143)	Thailand	Percabangan 37 (LBS Polwan)	Gardu P054	20	SUTM	A3C 150	323
144	Thailand	Gardu P054	Percabangan 38	20	SUTM	A3C 150	317
144.1 (145)	Thailand	Percabangan 38	LBS Bandara (Arah PP05)	20	SKTM	XLPE 240	43
144.2 (146)	Thailand	Percabangan 38	Gardu P063	20	SUTM	A3C 150	46
147	Thailand	Gardu P063	Jointing SUTM	20	SUTM	A3C 70	422
148	Thailand	Jointing SUTM	Gardu Bandara	20	SKTM	XLPE 240	16

## PENYULANG PHILIPINA

No	Nama Penyulang	Gardu / Keypoint / Percabangan		Tegangan (kV)	Saluran SUTM/ SKTM	Jenis Penghantar	Panjang Meter
		Asal	Tujuan				
	1	2	3	4	5	6	7
0	Filipina	GI Air Anyir	Jointing	20	SKTM	XLPE 240	547
1	Filipina	Jointing	LBS	20	SUTM	A3C 150	2216
2	Filipina	LBS	Jointing SKTM	20	SUTM	A3C 150	1294
3	Filipina	Jointing SKTM	Jointing	20	SKTM	XLPE 240	51
4	Filipina	Jointing	LBS				
5	Filipina	LBS	Jointing	20	SUTM	A3C 70	4081
6	Filipina	Jointing	Jointing	20	SUTM	A3C 50	54
7	Filipina	Jointing	Jointing	20	SUTM	A3C 70	2134
8	Filipina	Jointing	Jointing	20	SUTM	ACSR 240	275
9	Filipina	Jointing	Percabangan 1	20	SUTM	A3C 70	1091
9.1 (10)	Filipina	Percabangan 1	LBS Polsek Baturusa (Arah Singapura)	20	SUTM	A3C 70	1.644
9.2 (11)	Filipina	Percabangan 1	Percabangan 2	20	SUTM	A3C 70	393
11.1 (12)	Filipina	Percabangan 2	Percabangan 3				
12.1 (13)	Filipina	Percabangan 3	Gardu P614	20	SUTM	A3C 70	104
13.2 (14)	Filipina	Percabangan 3	LBS Kartini (Arah Malaysia)	20	SUTM	A3C 70	129
14.1 (15)	Filipina	Percabangan 2	Percabangan 4	20	SUTM	A3C 70	642
15.1 (16)	Filipina	Percabangan 4	Gardu P911	20	SUTM	A3C 70	428
15.2 (17)	Filipina	Percabangan 4	Percabangan 5	20	SUTM	A3C 70	214
17.1 (18)	Filipina	Percabangan 5	Percabangan 6 (P1041)	20	SUTM	A3C 70	410
18.1 (19)	Filipina	Percabangan 6 (P1041)	Gardu P419	20	SUTM	A3C 70	131
18.2 (20)	Filipina	Percabangan 6 (P1041)	Gardu P131	20	SUTM	A3C 70	50
21	Filipina	Gardu P131	Gardu P796	20	SUTM	A3C 70	46

22	Filipina	Gardu P796	Gardu P1042	20	SUTM	A3C 70	204
23	Filipina	Gardu P1042	Gardu P884	20	SUTM	A3C 70	408
17.2 (24)	Filipina	Percabangan 5	Percabangan 7	20	SUTM	A3C 70	121
24.1 (25)	Filipina	Percabangan 7	Gardu P869	20	SUTM	A3CS 150	234
26	Filipina	Gardu P869	Gardu P870	20	SUTM	A3CS 150	274
27	Filipina	Gardu P870	Percabangan 8	20	SUTM	A3CS 150	224
27.1 (28)	Filipina	Percabangan 8	Gardu P640	20	SUTM	A3CS 150	452
27.2 (29)	Filipina	Percabangan 8	Jointing	20	SUTM	A3CS 150	179
30	Filipina	Jointing	Jointing	20	SUTM	A3C 35	105
31	Filipina	Jointing	Jointing	20	SKTM	XLPE 240	33
32	Filipina	Jointing	Jointing	20	SUTM	A3C 150	1858
33	Filipina	Jointing	Gardu P998				
34	Filipina	Gardu P998	GI Kampak	20	SKTM	XLPE 240	70
24.2 (26)	Filipina	Percabangan 7	GH Kantor	20	SUTM	A3C 70	513
36	Filipina	GH Kantor	Tiang Awal	20	SKTM	XLPE 240	156
37	Filipina	Tiang Awal	Percabangan 9	20	SUTM	A3C 70	53
37.1 (38)	Filipina	Percabangan 9	Gardu P1037	20	SUTM	A3C 70	74
39	Filipina	Gardu P1037	Gardu P581	20	SUTM	A3C 70	150
40	Filipina	Gardu P581	Gardu P300	20	SUTM	A3C 70	158
37.2 (41)	Filipina	Percabangan 9	Gardu P711	20	SUTM	A3C 70	147
42	Filipina	Gardu P711	Percabangan 10 (P008)	20	SUTM	A3C 70	210
42.1 (43)	Filipina	Percabangan 10 (P008)	Gardu P865	20	SUTM	A3C 70	156
44	Filipina	Gardu P865	Gardu P223	20	SUTM	A3C 70	142
45	Filipina	Gardu P223	Percabangan 11 (P554)	20	SUTM	A3C 70	271
45.1 (46)	Filipina	Percabangan 11 (P554)	Gardu P521	20	SUTM	A3C 70	23
45.2 (47)	Filipina	Percabangan 11 (P554)	Percabangan 12 (P172)	20	SUTM	A3C 70	144
47.1 (48)	Filipina	Percabangan 12 (P172)	Gardu P866	20	SUTM	A3C 70	156
49	Filipina	Gardu P866	Percabangan 13	20	SUTM	A3C 70	101
49.1 (50)	Filipina	Percabangan 13	Gardu P207	20	SUTM	A3C 70	412
51	Filipina	Gardu P207	Gardu P779	20	SUTM	A3C 70	14
49.2 (52)	Filipina	Percabangan 13	Gardu P009	20	SUTM	A3C 70	109
53	Filipina	Gardu P009	Percabangan 14	20	SUTM	A3C 70	93
53.1 (54)	Filipina	Percabangan 14	Gardu P538	20	SUTM	A3C 70	247
53.2 (55)	Filipina	Percabangan 14	Gardu P867	20	SUTM	A3C 70	115
56	Filipina	Gardu P867	Tiang Akhir	20	SUTM	A3C 70	116
47.2 (57)	Filipina	Percabangan 12 (P172)	Percabangan 15 (P715)	20	SUTM	A3C 70	122
57.1 (58)	Filipina	Percabangan 15 (P715)	Gardu P803	20	SUTM	A3C 70	46
57.2 (59)	Filipina	Percabangan 15 (P715)	Gardu 594	20	SUTM	A3C 70	163
60	Filipina	Gardu P993	Gardu P110	20	SUTM	A3C 70	190
61	Filipina	Gardu P110	Percabangan 16 (P543)	20	SUTM	A3C 70	191
61.1 (62)	Filipina	Percabangan 16 (P543)	Gardu P630	20	SUTM	A3C 70	220
61.2 (63)	Filipina	Percabangan 16 (P543)	Gardu P129	20	SUTM	A3C 70	70

64	Filipina	Gardu P129	Tiang Akhir	20	SUTM	A3C 70	317
65	Filipina	Tiang Akhir	GH Sumber Rejo	20	SKTM	XLPE 240	16
65.1 (66)	Filipina	GH Sumber Rejo	Tiang Awal GH Sumber Rejo	20	SKTM	XLPE 240	15
67	Filipina	Tiang Awal GH Sumber Rejo	Percabangan 17 (P442)	20	SUTM	A3C 70	160
67.1 (68)	Filipina	Percabangan 17 (P442)	Gardu P563	20	SUTM	A3C 35	302
67.2 (69)	Filipina	Percabangan 17 (P442)	Percabangan 18	20	SUTM	A3C 70	98
69.1 (70)	Filipina	Percabangan 18	Gardu P780	20	SUTM	A3C 70	80
69.2 (71)	Filipina	Percabangan 18	Gardu P074	20	SUTM	A3C 70	46
72	Filipina	Gardu P074	Gardu P1038	20	SUTM	A3C 70	2105
73	Filipina	Gardu P1038	Gardu P319	20	SUTM	A3C 70	2106
74	Filipina	Gardu P319	Percabangan 19	20	SUTM	A3C 70	79
74.1 (75)	Filipina	Percabangan 19	Jointing	20	SUTM	A3C 70	91
76	Filipina	Jointing	Jointing	20	SUTM	A3C 240	62
77	Filipina	Jointing	Gardu P202	20	SUTM	A3C 70	234
78	Filipina	Gardu P202	Gardu P872				
74.2 (79)	Filipina	Percabangan 19	Gardu P526	20	SUTM	A3C 70	109
80	Filipina	Gardu P526	Percabangan 20	20	SUTM	A3C 70	34
80.1 (81)	Filipina	Percabangan 20	Percabangan 21	20	SUTM	A3C 70	87
81.1 (82)	Filipina	Percabangan 21	Gardu P835	20	SUTM	A3C 70	20
83	Filipina	Gardu P835	Gardu P060	20	SUTM	A3C 70	35
84	Filipina	Gardu P060	Gardu P486	20	SUTM	A3C 70	9
81.2 (85)	Filipina	Percabangan 21	Gardu P108	20	SUTM	A3C 50	51
80.2 (86)	Filipina	Percabangan 20	Percabangan 22 (P012)	20	SUTM	A3C 70	33
86.1 (87)	Filipina	Percabangan 22 (P012)	Gardu P947	20	SUTM	A3C 70	140
88	Filipina	Gardu P947	LBS Karya Bakti (Arah F8)	20	SUTM	A3C 70	140
86.2 (89)	Filipina	Percabangan 22 (P012)	Gardu P398	20	SUTM	A3C 70	176
90	Filipina	Gardu P398	Percabangan 23	20	SUTM	A3C 70	89
90.1 (91)	Filipina	Percabangan 23	P858	20	SUTM	XLPE 240	19
90.2 (92)	Filipina	Percabangan 23	Gardu P898	20	SUTM	A3C 70	117
93	Filipina	Gardu P898	Gardu P264	20	SUTM	A3C 70	117
94	Filipina	Gardu P264	Percabangan 24	20	SUTM	A3C 70	41
94.1 (95)	Filipina	Percabangan 24	Gardu P206	20	SUTM	A3C 70	50
94.2 (96)	Filipina	Percabangan 24	Percabangan 25	20	SUTM	A3C 70	97
96.1 (97)	Filipina	Percabangan 25	Gardu P200	20	SUTM	A3C 70	123
96.2 (98)	Filipina	Percabangan 25	LBS Begadang	20	SUTM	A3C 70	98
99	Filipina	LBS Begadang	Gardu P104	20	SUTM	A3C 70	28
100	Filipina	Gardu P104	Gardu P1014	20	SUTM	A3C 70	77
101	Filipina	Gardu P1014	Gardu P440	20	SUTM	A3C 70	77
102	Filipina	Gardu P440	Percabangan 26	20	SUTM	A3C 70	55
102.1 (103)	Filipina	Percabangan 26	BTS	20	SUTM	A3C 70	196
104	Filipina	BTS	BTS 1	20	SUTM	A3C 70	50
102.2 (105)	Filipina	Percabangan 26	Gardu P013	20	SUTM	A3C 70	180
106	Filipina	Gardu P013	Percabangan 27	20	SUTM	A3C 70	36

106.1 (107)	Filipina	Percabangan 27	Gardu BTC	20	SUTM	A3C 70	119
108	Filipina	Gardu BTC	BTC	20	SKTM	XLPE 240	14
106.2 (109)	Filipina	Percabangan 27	Percabangan 28	20	SUTM	A3C 70	45
109.1 (110)	Filipina	Percabangan 28	LBS Manual Pasar	20	SUTM	A3C 70	92
111	Filipina	LBS Manual Pasar	Gardu P126	20	SUTM	A3C 70	224
112	Filipina	Gardu P126	Gardu P409	20	SUTM	A3C 70	148
113	Filipina	Gardu P409	Percabangan 29	20	SUTM	A3C 70	179
113.1 (114)	Filipina	Percabangan 29	Gardu P1016	20	SUTM	A3C 70	61
115	Filipina	Gardu P1016	Gardu P374	20	SUTM	A3C 70	62
113.2 (116)	Filipina	Percabangan 29	Percabangan 30 (P042)	20	SUTM	A3C 70	246
116.1 (117)	Filipina	Percabangan 30 (P042)	Gardu P423	20	SUTM	A3C 70	243
116.2 (118)	Filipina	Percabangan 30 (P042)	Gardu P838	20	SUTM	A3C 70	264
119	Filipina	Gardu P838	Gardu P165	20	SUTM	A3C 70	157
120	Filipina	Gardu P165	Gardu P1050	20	SUTM	A3C 70	243
121	Filipina	Gardu P1050	Gardu P528	20	SUTM	A3C 70	243
109.2 (122)	Filipina	Percabangan 28	LBS Mandiri (Arah F1)				
42.2 (123)	Filipina	Percabangan 10 (P008)	Gardu P709	20	SUTM	A3C 70	159
124	Filipina	Gardu P709	Gardu P058	20	SUTM	A3C 70	340
125	Filipina	Gardu P058	Percabangan 31	20	SUTM	A3C 70	25
125.1 (126)	Filipina	Percabangan 31	Gardu P756	20	SUTM	A3C 70	9
125.2 (127)	Filipina	Percabangan 31	Gardu P381	20	SUTM	A3C 70	51
65.2 (128)	Filipina	GH Sumber Rejo	Tiang Akhir GH Sumber Rejo	20	SKTM	XLPE 240	17
129	Filipina	Tiang Akhir GH Sumber Rejo	Gardu P842	20	SUTM	A3C 70	884

## PENYULANG F1 (BELANDA)

No	Nama Penyulang	Gardu / Keypoint / Percabangan		Tegangan (kV)	Saluran SUTM/ SKTM	Jenis Penghantar	Panjang Meter
		Asal	Tujuan				
	1	2	3	4	5	6	7
1	Feeder 1	GI Kampak	Tiang Awal	20	SKTM	XLPE 240	58
2	Feeder 1	Tiang Awal	Percabangan 1	20	SUTM	A3CS 70	1926
2.1 (3)	Feeder 1	Percabangan 1	Percabangan 2	20	SUTM	A3C 70	87
3.1 (4)	Feeder 1	Percabangan 2	Gardu P645	20	SUTM	A3C 70	370
3.2 (5)	Feeder 1	Percabangan 2	Percabangan 3	20	SUTM	A3C 70	122
5.1 (6)	Feeder 1	Percabangan 3	Gardu P028	20	SKTM	XLPE 240	16



5.2 (7)	Feeder 1	Percabangan 3	Gardu P1004	20	SUTM	A3C 150	282
8	Feeder 1	Gardu P1004	Gardu P710	20	SUTM	A3C 150	282
9	Feeder 1	Gardu P710	Percabangan 4	20	SUTM	A3C 150	453
9.1 (10)	Feeder 1	Percabangan 4	Gardu P293				
9.2 (11)	Feeder 1	Percabangan 4	Gardu P487	20	SUTM	A3C 150	41
12	Feeder 1	Gardu P487	Gardu P266	20	SUTM	A3C 150	320
13	Feeder 1	Gardu P266	Gardu P896	20	SUTM	A3C 150	304
14	Feeder 1	Gardu P896	Gardu P045	20	SUTM	A3C 150	255
15	Feeder 1	Gardu P045	Gardu P1054				
2.2 (16)	Feeder 1	Percabangan 1	Gardu P547	20	SUTM	A3CS 70	1926
17	Feeder 1	Gardu P547	Gardu P945	20	SUTM	A3C 70	194
18	Feeder 1	Gardu P945	Percabangan 5 (P214)	20	SUTM	A3C 70	194
18.1 (19)	Feeder 1	Percabangan 5 (P214)	Gardu P810	20	SUTM	A3C 70	143
20	Feeder 1	Gardu P810	Gardu P335	20	SUTM	A3C 70	49
21	Feeder 1	Gardu P335	Percabangan 6 (P015)	20	SUTM	A3C 70	112
21.1 (22)	Feeder 1	Percabangan 6 (P015)	Gardu P346	20	SUTM	A3C 70	206
21.2 (23)	Feeder 1	Gardu P346	Gardu P106	20	SUTM	A3C 70	318
24	Feeder 1	Percabangan 6 (P015)	Percabangan 7	20	SUTM	A3C 70	317
24.1 (25)	Feeder 1	Percabangan 7	Gardu P1027	20	SUTM	A3CS 70	74
24.2 (26)	Feeder 1	Percabangan 7	Gardu P219	20	SUTM	A3C 70	99
27	Feeder 1	Gardu P219	Jointing	20	SUTM	A3C 70	149
28	Feeder 1	Jointing	Gardu P569	20	SUTM	A3C 70	57
29	Feeder 1	Gardu P569	LBS Bukit Merapin (Arah F8)	20	SUTM	A3C 70	62
18.2 (30)	Feeder 1	Percabangan 5 (P214)	Gardu P562	20	SUTM	A3C 150	328
31	Feeder 1	Gardu P562	Recloser 1	20	SUTM	A3C 150	158
32	Feeder 1	Recloser 1	Gardu P109	20	SUTM	A3C 150	158
33	Feeder 1	Gardu P109	Percabangan 8	20	SUTM	A3CS 70	143
33.1 (34)	Feeder 1	Percabangan 8	Gardu P879	20	SUTM	A3C 70	234
33.2 (35)	Feeder 1	Percabangan 8	Gardu P1039	20	SUTM	A3CS 70	126
36	Feeder 1	Gardu P1039	Gardu P693	20	SUTM	A3CS 70	126
37	Feeder 1	Gardu P693	Gardu P826	20	SUTM	A3CS 70	920
38	Feeder 1	Gardu P826	LBS Pertiba	20	SUTM	A3C 150	126
39	Feeder 1	LBS Pertiba	Gardu P383	20	SUTM	A3C 70	105
40	Feeder 1	Gardu P383	Jointing	20	SUTM	A3C 70	25
41	Feeder 1	Jointing	Jointing	20	SUTM	A3C 240	21
42	Feeder 1	Jointing	Percabangan 9	20	SUTM	A3C 70	107
42.1 (43)	Feeder 1	Percabangan 9	Gardu P772	20	SUTM	A3C 70	53
44	Feeder 1	Gardu P772	Gardu P017	20	SUTM	A3C 70	122
42.2 (45)	Feeder 1	Percabangan 9	Percabangan 10	20	SUTM	A3C 70	205
45.1 (46)	Feeder 1	Percabangan 10	Gardu P033	20	SUTM	A3C 70	106
45.2 (47)	Feeder 1	Percabangan 10	Gardu P558	20	SUTM	A3C 150	204
48	Feeder 1	Gardu P558	Gardu P751	20	SUTM	A3C 150	242
49	Feeder 1	Gardu P751	Gardu P092	20	SUTM	A3C 150	47
50	Feeder 1	Gardu P092	Gardu P735	20	SUTM	A3C 240	421

51	Feeder 1	LBS Pertiba	Gardu P545	20	SUTM	A3C 70	52
52	Feeder 1	Gardu P545	Percabangan 11	20	SUTM	A3C 70	53
52.1 (53)	Feeder 1	Percabangan 11	LBS DKT (Arah F8)	20	SUTM	A3C 150	1
52.2 (54)	Feeder 1	Percabangan 11	Gardu P378	20	SUTM	A3C 150	100
55	Feeder 1	Gardu P378	Percabangan 12	20	SUTM	A3C 150	47
55.1 (56)	Feeder 1	Percabangan 12	Gardu P119	20	SUTM	A3C 50	238
57	Feeder 1	Gardu P119	Percabangan 13 (P036)	20	SUTM	A3C 50	189
57.1 (58)	Feeder 1	Percabangan 13 (P036)	Gardu P495	20	SUTM	A3C 70	203
57.2 (59)	Feeder 1	Percabangan 13 (P036)	Gardu STO	20	SUTM	A3C 50	72
60	Feeder 1	Gardu STO	Gardu P336	20	SUTM	A3C 50	57
61	Feeder 1	Gardu P336	Gardu P227	20	SUTM	A3C 50	33
62	Feeder 1	Gardu P227	Gardu P087	20	SUTM	A3C 50	47
55.2 (63)	Feeder 1	Percabangan 12	Gardu P315	20	SUTM	A3C 150	119
64	Feeder 1	Gardu P315	Gardu P216	20	SUTM	A3C 150	55
65	Feeder 1	Gardu P216	Gardu P377	20	SUTM	A3C 150	159
66	Feeder 1	Gardu P377	LBS Simp Mentok	20	SUTM	A3C 150	55
67	Feeder 1	LBS Simp Mentok	Jointing	20	SUTM	A3C 150	131
68	Feeder 1	Jointing	Gardu PBSM	20	SUTM	A3C 50	113
69	Feeder 1	Gardu PBSM	Gardu P030	20	SUTM	A3C 50	95
70	Feeder 1	Gardu P030	Percabangan 14	20	SUTM	A3C 50	50
70.1 (71)	Feeder 1	Percabangan 14	Gardu P415	20	SUTM	A3C 50	378
72	Feeder 1	Gardu P415	Gardu P086	20	SUTM	A3C 50	161
70.2 (73)	Feeder 1	Percabangan 14	Gardu P441	20	SUTM	A3C 240	38
74	Feeder 1	Gardu P441	Gardu P345	20	SUTM	A3C 240	78
75	Feeder 1	Gardu P345	Percabangan 15 (P024)	20	SUTM	A3C 70	225
75.1 (76)	Feeder 1	Percabangan 15 (P024)	Gardu P025	20	SUTM	A3C 70	175
75.2 (77)	Feeder 1	Percabangan 15 (P024)	Percabangan 16	20	SUTM	A3C 70	75
77.1 (78)	Feeder 1	Percabangan 16	Gardu P389	20	SUTM	A3C 70	216
79	Feeder 1	Gardu P389	Percabangan 17	20	SUTM	A3C 70	153
79.1 (80)	Feeder 1	Percabangan 17	Gardu P259	20	SUTM	A3C 70	20
79.2 (81)	Feeder 1	Percabangan 17	Tiang Akhir GH Theresia	20	SUTM	A3C 70	94
82	Feeder 1	Tiang Akhir GH Theresia	GH Theresia	20	SKTM	XLPE 240	26
77.2 (83)	Feeder 1	Percabangan 16	Gardu P816	20	SUTM	A3C 70	100
84	Feeder 1	Gardu P816	Gardu P551	20	SUTM	A3C 70	144
85	Feeder 1	Gardu P551	Gardu P782	20	SUTM	A3C 70	56
86	Feeder 1	Gardu P782	Percabangan 18	20	SUTM	A3C 70	115
86.1 (87)	Feeder 1	Percabangan 18	Gardu P076	20	SUTM	A3C 70	44
88	Feeder 1	Gardu P076	Gardu P029	20	SUTM	A3C 70	165
89	Feeder 1	Gardu P029	Gardu P414	20	SUTM	A3C 70	31
86.2 (90)	Feeder 1	Percabangan 18	Percabangan 19	20	SUTM	A3C 70	66
90.1 (91)	Feeder 1	Percabangan 19	Gardu P023	20	SUTM	A3C 70	488
92	Feeder 1	Gardu P023	LBS Mandiri (Arah Filipina)	20	SUTM	A3C 70	52



90.2 (93)	Feeder 1	Percabangan 19	Gardu P102	20	SUTM	A3C 70	88
94	Feeder 1	Gardu P102	Gardu P057	20	SUTM	A3C 70	33

## PENYULANG F2

No	Nama Penyulang	Gardu / Keypoint / Percabangan		Tegangan (kV)	Saluran SUTM/SKTM	Jenis Penghantar	Panjang Meter
		Asal	Tujuan				
	1	2	3	4	5	6	7
0	Feeder 2	GI Kampak	Tiang Awal	20	SKTM	XLPE 240	50
1	Feeder 2	Tiang Awal	Percabangan 1	20	SUTM	A3C 240	173
1.1 (2)	Feeder 2	Percabangan 1	Percabangan 2	20	SUTM	A3C 150	623
2.1 (3)	Feeder 2	Percabangan 2	Gardu P892	20	SUTM	A3C 150	71
2.2 (4)	Feeder 2	Percabangan 2	Percabangan 3	20	SUTM	A3C 150	235
4.1 (5)	Feeder 2	Percabangan 3	Gardu P893	20	SUTM	A3C 150	44
4.2 (6)	Feeder 2	Percabangan 3	Gardu P894	20	SUTM	A3C 150	58
1.2 (7)	Feeder 2	Percabangan 1	Percabangan 4 (P588)	20	SUTM	A3C 240	365
7.1 (8)	Feeder 2	Percabangan 4 (P588)	Percabangan 5				
8.1 (9)	Feeder 2	Percabangan 5	Gardu P1044				
8.2 (10)	Feeder 2	Percabangan 5	Percabangan 6				
10.1 (11)	Feeder 2	Percabangan 6	Gardu P1045				
10.2 (12)	Feeder 2	Percabangan 6	Gardu P1046				
7.2 (13)	Feeder 2	Percabangan 4 (P588)	Gardu P808	20	SUTM	A3C 240	764
14	Feeder 2	Gardu P808	Percabangan 7	20	SUTM	A3C 240	450
14.1 (15)	Feeder 2	Percabangan 7	Gardu P841	20	SUTM	A3C 70	8
14.2 (16)	Feeder 2	Percabangan 7	Percabangan 8	20	SUTM	A3C 240	175
16.1 (17)	Feeder 2	Percabangan 8	Gardu P920				
16.2 (18)	Feeder 2	Percabangan 8	Gardu P807	20	SUTM	A3C 240	175
19	Feeder 2	Gardu P807	Gardu P587	20	SUTM	A3C 240	150
20	Feeder 2	Gardu P587	Jointing SKTM	20	SUTM	A3C 240	59
21	Feeder 2	Jointing SKTM	Jointing SKUM	20	SKTM	XLPE 240	11
22	Feeder 2	Jointing SKUM	Percabangan 9	20	SUTM	A3C 240	174
22.1 (23)	Feeder 2	Percabangan 9	Gardu P766	20	SUTM	A3C 70	9
22.2 (24)	Feeder 2	Percabangan 9	Gardu P351	20	SUTM	A3C 240	735
25	Feeder 2	Gardu P351	Percabangan 10 (P257)	20	SUTM	A3C 240	300
25.1 (26)	Feeder 2	Percabangan 10 (P257)	Gardu P460	20	SUTM	A3C 70	158
27	Feeder 2	Gardu P460	Gardu P837				
25.2 (28)	Feeder 2	Percabangan 10 (P257)	Percabangan 11	20	SUTM	A3C 150	47
28.1 (29)	Feeder 2	Percabangan 11	Gardu P836	20	SUTM	A3C 150	7
28.2 (30)	Feeder 2	Percabangan 11	Gardu P624	20	SUTM	A3C 70	227
31	Feeder 2	Gardu P624	Gardu P459	20	SUTM	A3C 150	231
32	Feeder 2	Gardu P459	Gardu P837	20	SUTM	A3C 150	40
33	Feeder 2	Gardu P837	Gardu P902	20	SUTM	A3C 150	438
34	Feeder 2	Gardu P902	Gardu P734	20	SUTM	A3C 150	390

25.3 (35)	Feeder 2	Percabangan 10 (P257)	Gardu P824	20	SUTM	A3C 240	635
36	Feeder 2	Gardu P824	Gardu P706	20	SUTM	A3C 240	385
37	Feeder 2	Gardu P706	Gardu P667	20	SUTM	A3C 240	315
38	Feeder 2	Gardu P667	Jointing SUTM	20	SKTM	XLPE 240	344
39	Feeder 2	Jointing SUTM	Percabangan 12	20	SUTM	A3C 240	115
39.1 (40)	Feeder 2	Percabangan 12	Gardu P292	20	SUTM	A3C 70	267
41	Feeder 2	Gardu P292	Gardu P889				
39.2 (42)	Feeder 2	Percabangan 12	Gardu P777	20	SUTM	A3C 70	28
43	Feeder 2	Gardu P777	Gardu P568	20	SUTM	A3C 240	262
44	Feeder 2	Gardu P568	Percabangan 13	20	SUTM	A3C 240	350
44.1 (45)	Feeder 2	Percabangan 13	Gardu P020	20	SUTM	A3C 150	256
46	Feeder 2	Gardu P020	Gardu P450	20	SUTM	A3C 150	222
47	Feeder 2	Gardu P450	PTS Irian (Arah F4)	20	SUTM	A3C 150	71
44.2 (48)	Feeder 2	Percabangan 13	Gardu BTS	20	SUTM	A3C 150	188
49	Feeder 2	Gardu BTS	Jointing	20	SUTM	A3C 70	6
50	Feeder 2	Jointing	Gardu P446	20	SUTM	A3C 150	212
44.3 (51)	Feeder 2	Percabangan 13	Gardu P133	20	SUTM	A3C 150	148
52	Feeder 2	Gardu P133	Percabangan 14	20	SUTM	A3C 150	50
52.1 (53)	Feeder 2	Percabangan 14	Gardu BTS				
54	Feeder 2	Gardu BTS	Gardu ???				
52.2 (55)	Feeder 2	Percabangan 14	ACR KPU	20	SUTM	A3C 150	50
56	Feeder 2	ACR KPU	Percabangan 15	20	SUTM	A3C 150	102
56.1 (57)	Feeder 2	Percabangan 15	Gardu P707	20	SUTM	A3C 70	107
58	Feeder 2	Gardu P707	Gardu P291	20	SUTM	A3C 70	198
59	Feeder 2	Gardu P291	Gardu P730	20	SUTM	A3C 70	365
56.2 (60)	Feeder 2	Percabangan 15	Gardu P401	20	SUTM	A3C 150	108
61	Feeder 2	Gardu P401	Percabangan 16 (P040)	20	SUTM	A3C 150	266
61.1 (62)	Feeder 2	Percabangan 16 (P040)	Gardu BTS	20	SUTM	A3C 70	130
63	Feeder 2	Gardu BTS	Gardu P443	20	SUTM	A3C 70	267
61.2 (64)	Feeder 2	Percabangan 16 (P040)	Gardu P268	20	SUTM	A3C 150	342
65	Feeder 2	Gardu P268	Gardu P809	20	SUTM	A3C 150	104
66	Feeder 2	Gardu P809	Percabangan 17	20	SUTM	A3C 150	246
66.1 (67)	Feeder 2	Percabangan 17	Gardu P370	20	SUTM	A3C 70	144
66.2 (68)	Feeder 2	Percabangan 17	Gardu P428	20	SUTM	A3C 150	45
69	Feeder 2	Gardu P428	Percabangan 18	20	SUTM	A3C 150	37
69.1 (70)	Feeder 2	Percabangan 18	Gardu P1059				
69.2 (71)	Feeder 2	Percabangan 18	Percabangan 19 (BTS P)	20	SUTM	A3C 150	37
71.1 (72)	Feeder 2	Percabangan 19 (BTS P)	Gardu P132	20	SUTM	A3C 240	53
71.2 (73)	Feeder 2	Percabangan 19 (BTS P)	Percabangan 20 (P071)	20	SUTM	A3C 150	211
73.1 (74)	Feeder 2	Percabangan 20 (P071)	Gardu P1061	20	SUTM	A3C 70	100
75	Feeder 2	Gardu P1061	Gardu P534	20	SUTM	A3C 70	150
76	Feeder 2	Gardu P534	Gardu P623	20	SUTM	A3C 70	864
73.2 (77)	Feeder 2	Percabangan 20 (P071)	Gardu P901	20	SUTM	A3C 150	257

78	Feeder 2	Gardu P901	Percabangan 21	20	SUTM	A3C 150	58
78.1 (79)	Feeder 2	Percabangan 21	Gardu P731	20	SUTM	A3C 70	612
80	Feeder 2	Gardu P731	Gardu ???				
78.2 (81)	Feeder 2	Percabangan 21	Gardu P375	20	SUTM	A3C 150	206
82	Feeder 2	Gardu P375	Percabangan 22	20	SUTM	A3C 150	200
83	Feeder 2	Percabangan 22	Gardu P1060				
84	Feeder 2	Percabangan 22	Gardu P041	20	SUTM	A3C 150	200
85	Feeder 2	Gardu P041	Gardu P1022	20	SUTM	A3C 150	203
86	Feeder 2	Gardu P1022	Gardu P176	20	SUTM	A3C 150	250
87	Feeder 2	Gardu P176	Gardu P451	20	SUTM	A3C 150	162

## PENYULANG F3 (CEKO)

No	Nama Penyulang	Gardu / Keypoint / Percabangan		Tegangan (kV)	Saluran SUTM/ SKTM	Jenis Penghantar	Panjang Meter
		Asal	Tujuan				
	1	2	3	4	5	6	7
0	Feeder 3	GI Kampak	Tiang Awal	20	SKTM	XLPE 240	54
1	Feeder 3	Tiang Awal	Jointing SKTM	20	SUTM	A3C 150	1985
2	Feeder 3	Jointing SKTM	Jointing SUTM	20	SKTM	XLPE 240	30
3	Feeder 3	Jointing SUTM	Jointing SKTM	20	SUTM	A3C 150	2184
4	Feeder 3	Jointing SKTM	Jointing SUTM	20	SKTM	XLPE 240	344
5	Feeder 3	Jointing SKTM	Percabangan 1	20	SUTM	A3C 150	1944
5.1 (6)	Feeder 3	Percabangan 1	Gardu ST Yos	20	SUTM	A3C 150	2
5.2 (7)	Feeder 3	Percabangan 1	Percabangan 2	20	SUTM	A3C 150	2474
7.1 (8)	Feeder 3	Percabangan 2	BTS Telkom	20	SUTM	A3C 150	266
9	Feeder 3	BTS Telkom	Jointing	20	SUTM	A3C 35	556
10	Feeder 3	Jointing	Tiang Akhir	20	SUTM	A3C 150	257
7.2 (11)	Feeder 3	Percabangan 2	Jointing	20	SUTM	A3C 150	452
12	Feeder 3	Jointing	Gardu P685	20	SUTM	A3C 35	65
13	Feeder 3	Gardu P685	Gardu P083	20	SUTM	A3C 35	235
14	Feeder 3	Gardu P083	Gardu P394	20	SUTM	A3C 35	247
15	Feeder 3	Gardu P394	Gardu P712	20	SUTM	A3C 35	418
16	Feeder 3	Gardu P712	Percabangan 3	20	SUTM	A3C 35	94
16.1 (17)	Feeder 3	Percabangan 3	Gardu P957				
18	Feeder 3	Gardu P957	Gardu P958				
16.2 (19)	Feeder 3	Percabangan 3	Gardu P868	20	SUTM	A3C 35	50
20	Feeder 3	Gardu P868	Gardu P084	20	SUTM	A3C 35	418
21	Feeder 3	Gardu P084	Percabangan 4	20	SUTM	A3C 35	72
21.1 (22)	Feeder 3	Percabangan 4	Gardu P852	20	SUTM	A3C 150	993
23	Feeder 3	Gardu P852	Gardu No Label	20	SUTM	A3C 150	1460
21.2 (24)	Feeder 3	Percabangan 4	FCO	20	SUTM	A3C 35	38
25	Feeder 3	FCO	Gardu P822	20	SUTM	A3C 35	40
26	Feeder 3	Gardu P822	Percabangan 5 (P476)	20	SUTM	A3C 35	218
26.1 (27)	Feeder 3	Percabangan 5 (P476)	Gardu P525	20	SUTM	A3C 150	406
26.2 (28)	Feeder 3	Percabangan 5 (P476)	Gardu BTS	20	SUTM	A3C 35	63
29	Feeder 3	Gardu BTS	Gardu P290	20	SUTM	A3C 35	108
30	Feeder 3	Gardu P290	Gardu P661	20	SUTM	A3C 35	868

31	Feeder 3	Gardu P661	Percabangan 6	20	SUTM	A3C 35	223
31.1 (32)	Feeder 3	Percabangan 6	Gardu P850	20	SUTM	A3C 70	2093
31.2 (33)	Feeder 3	Percabangan 6	Percabangan 7	20	SUTM	A3C 35	1181
33.1 (34)	Feeder 3	Percabangan 7	ACR Penagan	20	SUTM	A3C 150	399
35	Feeder 3	ACR Penagan	Gardu P358	20	SUTM	A3C 150	1772
36	Feeder 3	Gardu P358	Gardu P580	20	SUTM	A3C 150	1472
37	Feeder 3	Gardu P580	Percabangan 8	20	SUTM	A3C 150	2118,5
37.1 (38)	Feeder 3	Percabangan 8	Gardu P359	20	SUTM	A3C 150	10,5
37.2 (39)	Feeder 3	Percabangan 8	Percabangan 9	20	SUTM	A3C 150	1254
39.1 (40)	Feeder 3	Percabangan 9	Gardu P360	20	SUTM	A3C 150	13
39.2 (41)	Feeder 3	Percabangan 9	FCO	20	SUTM	A3C 150	1872
42	Feeder 3	FCO	Percabangan 10	20	SUTM	A3C 150	1876
42.1 (43)	Feeder 3	Percabangan 10	Gardu P361	20	SUTM	A3C 150	20
42.2 (44)	Feeder 3	Percabangan 10	Percabangan 11	20	SUTM	A3C 150	3451
44.1 (45)	Feeder 3	Percabangan 11	Gardu P362	20	SUTM	A3C 150	20
44.2 (46)	Feeder 3	Percabangan 11	Gardu P363	20	SUTM	A3C 150	2515
47	Feeder 3	Gardu P363	Gardu P500	20	SUTM	A3C 150	2655
48	Feeder 3	Gardu P500	Gardu P718	20	SUTM	A3C 150	3407
49	Feeder 3	Gardu P718	FCO	20	SUTM	A3C 150	1245
50	Feeder 3	FCO	Gardu P364	20	SUTM	A3C 150	1440
51	Feeder 3	Gardu P364	Gardu P1072	20	SUTM	A3C 150	3274
52	Feeder 3	Gardu P1072	Percabangan 12	20	SUTM	A3C 150	3276
52.1 (53)	Feeder 3	Percabangan 12	Gardu P472	20	SUTM	A3C 70	98
52.2 (54)	Feeder 3	Percabangan 12	Gardu BTS	20	SUTM	A3C 70	40
52.2 (55)	Feeder 3	Percabangan 12	Percabangan 13	20	SUTM	A3C 150	71
55.1 (56)	Feeder 3	Percabangan 13	Gardu P365	20	SUTM	A3C 70	14
55.2 (57)	Feeder 3	Percabangan 13	BTS Penaga	20	SUTM	A3C 70	278
58	Feeder 3	BTS Penaga	Percabangan 14	20	SUTM	A3C 70	211
58.1 (59)	Feeder 3	Percabangan 14	Gardu P489	20	SUTM	A3C 70	948
58.2 (60)	Feeder 3	Percabangan 14	Gardu P490	20	SUTM	A3C 70	207
61	Feeder 3	Gardu P490	FCO	20	SUTM	A3C 70	48
62	Feeder 3	FCO	Gardu P366	20	SUTM	A3C 70	2205
55.3 (63)	Feeder 3	Percabangan 13	Percabangan 15	20	SUTM	A3C 150	949
63.1 (64)	Feeder 3	Percabangan 15	Gardu P488	20	SUTM	A3C 150	18
63.2 (65)	Feeder 3	Percabangan 15	Jointing	20	SUTM	A3C 150	580
66	Feeder 3	Jointing	Gardu P738	20	SUTM	A3C 70	44
67	Feeder 3	Gardu P738	Gardu P739	20	SUTM	A3C 70	12875
68	Feeder 3	Gardu P739	Gardu P740	20	SUTM	A3C 70	2750
33.2 (69)	Feeder 3	Percabangan 7	Gardu P576	20	SUTM	A3C 35	93
70	Feeder 3	Gardu P576	Gardu P115	20	SUTM	A3C 35	323
71	Feeder 3	Gardu P115	Percabangan 16 (P233)	20	SUTM	A3C 35	1941
71.1 (72)	Feeder 3	Percabangan 16 (P233)	Gardu P996				
71.2 (73)	Feeder 3	Percabangan 16 (P233)	Gardu P085	20	SUTM	A3C 35	652
74	Feeder 3	Gardu P085	ACR Terui	20	SUTM	A3C 35	755
75	Feeder 3	ACR Terui	Gardu P550	20	SUTM	A3C 70	1475
76	Feeder 3	Gardu P550	Gardu P767	20	SUTM	A3C 70	986
77	Feeder 3	Gardu P767	Gardu P142	20	SUTM	A3C 70	1078
78	Feeder 3	Gardu P142	BTS Beruas	20	SUTM	A3C 70	164

79	Feeder 3	BTS Beruas	Gardu P261	20	SUTM	A3C 70	220
80	Feeder 3	Gardu P261	Gardu P1018	20	SUTM	A3C 70	854
81	Feeder 3	Gardu P1018	Gardu P618	20	SUTM	A3C 70	856
82	Feeder 3	Gardu P618	Gardu P987	20	SUTM	A3C 70	558
83	Feeder 3	Gardu P987	Gardu P194	20	SUTM	A3C 70	559
84	Feeder 3	Gardu P194	Gardu P925	20	SUTM	A3C 70	739
85	Feeder 3	Gardu P925	Percabangan 17 (P143)	20	SUTM	A3C 70	276
85.1 (86)	Feeder 3	Percabangan 17 (P143)	LBS Simp Katis	20	SUTM	A3C 150	454
87	Feeder 3	LBS Simp Katis	Gardu P330	20	SUTM	A3C 150	730
88	Feeder 3	Gardu P330	Gardu P682	20	SUTM	A3C 150	441
89	Feeder 3	Gardu P682	Gardu P252	20	SUTM	A3C 150	1423
90	Feeder 3	Gardu P252	Gardu P755	20	SUTM	A3C 150	993
91	Feeder 3	Gardu P755	Percabangan 18	20	SUTM	A3C 150	98
91.1 (92)	Feeder 3	Percabangan 18	Gardu P1043				
91.2 (93)	Feeder 3	Percabangan 18	Gardu P236	20	SUTM	A3C 70	57
94	Feeder 3	Gardu P236	Gardu P431	20	SUTM	A3C 70	600
95	Feeder 3	Gardu P431	Gardu P620	20	SUTM	A3C 70	1875
96	Feeder 3	Gardu P620	Percabangan 19	20	SUTM	A3C 70	1813
96.1 (97)	Feeder 3	Percabangan 19	Gardu BTS Indosat	20	SUTM	A3C 70	7
96.2 (98)	Feeder 3	Percabangan 19	Gardu P237	20	SUTM	A3C 70	216
99	Feeder 3	Gardu P237	Gardu BTS Telkomsel (P946)	20	SUTM	A3C 70	784
100	Feeder 3	Gardu BTS Telkomsel	Gardu BTS XL	20	SUTM	A3C 70	652
101	Feeder 3	Gardu BTS XL	Gardu P235	20	SUTM	A3C 70	172
102	Feeder 3	Gardu P235	Percabangan 20	20	SUTM	A3C 70	54
102.1 (103)	Feeder 3	Percabangan 20	Gardu P854	20	SUTM	A3C 70	4348
102.2 (104)	Feeder 3	Percabangan 20	Gardu P592	20	SUTM	A3C 70	283
105	Feeder 3	Gardu P592	Gardu P234	20	SUTM	A3C 70	2597
106	Feeder 3	Gardu P234	Gardu P429	20	SUTM	A3C 70	592
107	Feeder 3	Gardu P429	Gardu P757 (SPAM 1)	20	SUTM	A3C 70	378
108	Feeder 3	SPAM 1	Gardu P997	20	SUTM	A3C 70	1473
85.2 (109)	Feeder 3	Percabangan 17 (P143)	Gardu P1019 (Spam)	20	SUTM	A3C 70	2145
110	Feeder 3	Gardu P Spam	Gardu P758	20	SUTM	A3C 70	387
111	Feeder 3	Gardu P758	LBS Kertak 1	20	SUTM	A3C 70	387
112	Feeder 3	LBS Kertak 1	Gardu P619	20	SUTM	A3C 70	594
113	Feeder 3	Gardu P619	Percabangan 21 (P144)	20	SUTM	A3C 70	645
113.1 (114)	Feeder 3	Percabangan 21 (P144)	Gardu P589	20	SUTM	A3C 70	455
115	Feeder 3	Gardu P589	LBS Sarang Mandi (Sungai Selan)	20	SUTM	A3C 70	294
116	Feeder 3	LBS Sarang Mandi (Sungai Selan)	Percabangan 22 (P152)	20	SUTM	A3C 70	2451
116.1 (117)	Feeder 3	Percabangan 22 (P152)	FCO	20	SUTM	A3C 150	367
118	Feeder 3	FCO	Gardu P719	20	SUTM	A3C 150	132
119	Feeder 3	Gardu P719	Gardu P628	20	SUTM	A3C 150	5019

116.2 (120)	Feeder 3	Percabangan 22 (P152)	Gardu BTS	20	SUTM	A3C 70	47
121	Feeder 3	Gardu BTS	Gardu P153	20	SUTM	A3C 70	1790
122	Feeder 3	Gardu P153	Gardu P225	20	SUTM	A3C 70	2940
123	Feeder 3	Gardu P225	Gardu P305	20	SUTM	A3C 70	1072
124	Feeder 3	Gardu P305	Gardu P221	20	SUTM	A3C 70	1076
125	Feeder 3	Gardu P221	Gardu P687	20	SUTM	A3C 70	407
126	Feeder 3	Gardu P687	Percabangan 23	20	SUTM	A3C 70	317
126.1 (127)	Feeder 3	Percabangan 23	Percabangan 24	20	SUTM	A3C 70	105
127.1 (128)	Feeder 3	Percabangan 24	Gardu P331	20	SUTM	A3C 70	118
127.2 (129)	Feeder 3	Percabangan 24	Gardu BTS Telkomsel	20	SUTM	A3C 70	52
126.2 (130)	Feeder 3	Percabangan 23	Gardu P332	20	SUTM	A3C 70	634
131	Feeder 3	Gardu P332	FCO	20	SUTM	A3C 150	279
132	Feeder 3	FCO	Gardu P720	20	SUTM	A3C 70	533
126.3 (133)	Feeder 3	Percabangan 23	Percabangan 25 (P177)	20	SUTM	A3C 70	295
133.1 (134)	Feeder 3	Percabangan 25 (P177)	Gardu P829	20	SUTM	A3C 150	400
133.2 (135)	Feeder 3	Percabangan 25 (P177)	Gardu P154	20	SUTM	A3C 70	460
136	Feeder 3	Gardu P154	Percabangan 26	20	SUTM	A3C 70	123
136.1 (137)	Feeder 3	Percabangan 26	Gardu P721	20	SUTM	A3C 70	404
136.2 (138)	Feeder 3	Percabangan 26	FCO	20	SUTM	A3C 70	551
139	Feeder 3	FCO	Gardu P 847	20	SUTM	A3C 70	1248
140	Feeder 3	Gardu P 847	Gardu P No Label	20	SUTM	A3C 70	36
113.2 (141)	Feeder 3	Percabangan 21 (P144)	LBS Kertak 2	20	SUTM	A3C 70	572
142	Feeder 3	LBS Kertak 2	Gardu P851	20	SUTM	A3C 50	1571
143	Feeder 3	Gardu P851	Jointing	20	SUTM	A3C 50	767
144	Feeder 3	Jointing	Gardu P609	20	SUTM	A3C 70	1094
145	Feeder 3	Gardu P609	Gardu P853	20	SUTM	A3C 70	2184
146	Feeder 3	Gardu P853	Gardu P430	20	SUTM	A3C 70	2030
147	Feeder 3	Gardu P430	Gardu BTS Telkomsel	20	SUTM	A3C 70	244
148	Feeder 3	Gardu BTS Telkomsel	Percabangan 27 (P238)	20	SUTM	A3C 70	66
148.1 (149)	Feeder 3	Percabangan 27 (P238)	Gardu P745	20	SUTM	A3C 70	48
150	Feeder 3	Gardu P745	Percabangan 28 (P397)	20	SUTM	A3C 70	208
150.1 (151)	Feeder 3	Percabangan 28 (P397)	Gardu No Label	20	SUTM	A3C 70	106
152	Feeder 3	Gardu No Label	Gardu P239	20	SUTM	A3C 70	106
153	Feeder 3	Gardu P239	Gardu BTS Indosat	20	SUTM	A3C 70	3
150.2 (154)	Feeder 3	Percabangan 28 (P397)	Gardu P905	20	SUTM	A3C 150	541
155	Feeder 3	Gardu P905	Gardu P334	20	SUTM	A3C 150	419
156	Feeder 3	Gardu P334	Gardu P948				
157	Feeder 3	Gardu P948	Gardu P949				



148.2 (158)	Feeder 3	Percabangan 27 (P238)	Gardu P683	20	SUTM	A3C 35	812
159	Feeder 3	Gardu P683	Percabangan 29	20	SUTM	A3C 35	52
159.1 (160)	Feeder 3	Percabangan 29	LBS Munggu	20	SUTM	A3C 150	1138
161	Feeder 3	LBS Munggu	Gardu P606	20	SUTM	A3C 150	1876
162	Feeder 3	Gardu P606	Gardu P641	20	SUTM	A3C 150	2034
163	Feeder 3	Gardu P641	Percabangan 30	20	SUTM	A3C 150	2075
163.1 (164)	Feeder 3	Percabangan 30	Gardu P600	20	SUTM	A3C 150	20
165	Feeder 3	Gardu P600	Gardu P845	20	SUTM	A3C 150	1295
163.2 (166)	Feeder 3	Percabangan 30	Gardu P339	20	SUTM	A3C 150	3185
167	Feeder 3	Gardu P339	Gardu P474	20	SUTM	A3C 150	378
168	Feeder 3	Gardu P474	Gardu P357	20	SUTM	A3C 150	722
169	Feeder 3	Gardu P357	Percabangan 31	20	SUTM	A3C 150	1792
169.1 (170)	Feeder 3	Percabangan 31	LBS Manual Arah Bangka Kota				
169.2 (171)	Feeder 3	Percabangan 31	Gardu P760	20	SUTM	A3C 150	1792
172	Feeder 3	Gardu P760	FCO				
173	Feeder 3	FCO	Gardu P950				
174	Feeder 3	Gardu P950	Gardu P951				
159.2 (175)	Feeder 3	Percabangan 29	LBS Manual Simp Gedong (Tanjung Gudang)	20	SUTM	A3C 35	2375
176	Feeder 3	LBS Manual Simp Gedong (Tanjung Gudang)	Gardu P352	20	SUTM	A3C 35	2895
177	Feeder 3	Gardu P352	Gardu P353	20	SUTM	A3C 35	4832
178	Feeder 3	Gardu P353	Gardu P355	20	SUTM	A3C 35	3419,5
179	Feeder 3	Gardu P355	Percabangan 32	20	SUTM	A3C 35	206
179.1 (180)	Feeder 3	Percabangan 32	Gardu BTS (P025)	20	SUTM	A3C 70	32
179.2 (181)	Feeder 3	Percabangan 32	Percabangan 33	20	SUTM	A3C 35	3392,5
181.1 (182)	Feeder 3	Percabangan 33	Gardu P354	20	SUTM	A3C 70	26
181.2 (183)	Feeder 3	Percabangan 33	Percabangan 34	20	SUTM	A3C 35	3028
183.1 (184)	Feeder 3	Percabangan 34	Gardu P499	20	SUTM	A3C 70	38
183.2 (185)	Feeder 3	Percabangan 34	Gardu P356	20	SUTM	A3C 35	1068
186	Feeder 3	Gardu P356	Jointing	20	SUTM	A3C 35	2067
187	Feeder 3	Jointing	Metering Outfit	20	SUTM	A3C 35	37
188	Feeder 3	Metering Outfit	LBS Malik	20	SUTM	A3C 70	38

## PENYULANG F4 (DENMARK)

No		Gardu / Keypoint / Percabangan	Tegangan	Saluran	Jenis	Panjang
----	--	--------------------------------	----------	---------	-------	---------

	Nama Penyulang			(kV)	SUTM/ SKTM	Penghantar	Meter
		Asal	Tujuan				
	1	2	3	4	5	6	7
0	Feeder 4	GI Kampak	Tiang Awal	20	SKTM	XLPE 240	65
1	Feeder 4	Tiang Awal	Jointing SKTM	20	SUTM	A3C 240	1861
2	Feeder 4	Jointing SKTM	Jointing SKTM	20	SKTM	XLPE 240	33
3	Feeder 4	Jointing SKTM	Percabangan 1 (P420)	20	SUTM	A3C 240	1002
3.1 (4)	Feeder 4	Percabangan 1 (P420)	ACR Selindung	20	SUTM	A3C 240	558
3.2 (5)	Feeder 4	Percabangan 1 (P420)	Gardu P967	20	SUTM	A3C 240	187
6	Feeder 4	Gardu P967	Gardu P1055	20	SUTM	A3C 240	187
7	Feeder 4	Gardu P1055	Tiang Akhir	20	SUTM	A3C 240	124
8	Feeder 4	Tiang Akhir	GH Kantor	20	SUTM	A3C 150	68
9	Feeder 4	GH Kantor	Tiang Awal	20	SUTM	A3C 150	71
10	Feeder 4	Tiang Awal	Percabangan 2	20	SUTM	A3C 240	1460
10.1 (11)	Feeder 4	Percabangan 2	Gardu P297	20	SUTM	A3C 70	17
10.2 (12)	Feeder 4	Percabangan 2	Percabangan 3	20	SUTM	A3C 240	730
12.1 (13)	Feeder 4	Percabangan 3	Gardu P933	20	SUTM	A3C 240	
12.2 (14)	Feeder 4	Percabangan 3	Percabangan 4	20	SUTM	A3C 240	365
14.1 (15)	Feeder 4	Percabangan 4	Gardu P936	20	SUTM	A3C 240	
14.2 (16)	Feeder 4	Percabangan 4	Tiang Akhir	20	SUTM	A3C 240	1059
17	Feeder 4	Tiang Akhir	GH Theresia	20	SKTM	XLPE 240	11
17.1 (18)	Feeder 4	GH Theresia	Tiang Awal 1	20	SKTM	XLPE 240	23
19	Feeder 4	Tiang Awal 1	Gardu P784	20	SUTM	A3C 150	111
20	Feeder 4	Gardu P784	Gardu P267	20	SUTM	A3C 150	206
21	Feeder 4	Gardu P267	Gardu Pxxx	20	SUTM	A3C 150	82
22	Feeder 4	Gardu Pxxx	Gardu P314	20	SUTM	A3C 150	83
23	Feeder 4	Gardu P314	Gardu P021	20	SUTM	A3C 150	284
24	Feeder 4	Gardu P021	Percabangan 5	20	SUTM	A3C 150	43
24.1 (25)	Feeder 4	Percabangan 5	Percabangan 6	20	SUTM	A3C 70	201
25.1 (26)	Feeder 4	Percabangan 6	Gardu P412	20	SUTM	A3C 70	201
25.2 (27)	Feeder 4	Percabangan 6	Gardu P317	20	SUTM		
28	Feeder 4	Gardu P317	Percabangan 7 (P150)	20	SUTM		
28.1 (29)	Feeder 4	Percabangan 7 (P150)	Gardu P523	20	SUTM		
30	Feeder 4	Gardu P523	Gardu P634 BTS	20	SUTM	A3C 150	200
28.2 (31)	Feeder 4	Percabangan 7 (P150)	Gardu P1053	20	SUTM		
32	Feeder 4	Gardu P1053	Gardu P035	20	SUTM		
33	Feeder 4	Gardu P035	Gardu P705	20	SUTM		
34	Feeder 4	Gardu P705	Gardu P311	20	SUTM		
35	Feeder 4	Gardu P311	Gardu P934	20	SUTM		
24.2 (36)	Feeder 4	Percabangan 5	LBS Mat Kodim	20	SUTM		
37	Feeder 4	LBS Mat Kodim	Gardu P347	20	SUTM	A3C 150	51
38	Feeder 4	Gardu P347	Gardu P	20	SUTM	A3C 150	124
39	Feeder 4	Gardu P	Percabangan 8 (P213)	20	SUTM	A3C 150	125
39.1 (40)	Feeder 4	Percabangan 8 (P213)	LBS Irian (Arah F2)	20	SUTM	A3C 70	237



39.2 (41)	Feeder 4	Percabangan 8 (P213)	Percabangan 9	20	SUTM	A3C 150	181
41.1 (42)	Feeder 4	Percabangan 9	Gardu P912	20	SUTM		
41.2 (43)	Feeder 4	Percabangan 9	Percabangan 10 (P591)	20	SUTM	A3C 150	181
43.1 (44)	Feeder 4	Percabangan 10 (P591)	Gardu RS Bhakti	20	SKTM	XLPE 240	23
45	Feeder 4	Gardu RS Bhakti	Gardu Pxxx	20	SUTM		
43.2 (46)	Feeder 4	Percabangan 10 (P591)	Percabangan 11 (P048)	20	SUTM	A3C 150	49
46.1 (47)	Feeder 4	Percabangan 11 (P048)	Percabangan 12	20	SUTM	A3C 150	267
47.1 (48)	Feeder 4	Percabangan 12	Gardu P072	20	SUTM	A3C 150	202
49	Feeder 4	Gardu P072	Gardu 1057	20	SUTM		
47.2 (50)	Feeder 4	Percabangan 12	Percabangan 13	20	SUTM	A3C 150	300
50.1 (51)	Feeder 4	Percabangan 13	Gardu P881	20	SUTM		
50.2 (52)	Feeder 4	Percabangan 13	Gardu P432	20	SUTM		
53	Feeder 4	Gardu P432	Gardu P274	20	SUTM	A3C 150	496
54	Feeder 4	Gardu P274	Gardu P930	20	SUTM		
46.2 (55)	Feeder 4	Percabangan 11 (P048)	Gardu P690	20	SUTM	A3C 150	58
56	Feeder 4	Gardu P690	Percabangan 14	20	SUTM	A3C 150	107
57	Feeder 4	Percabangan 14	Gardu P1029	20	SUTM	A3C 150	95
57.1 (58)	Feeder 4	Gardu P1029	Gardu P552	20	SUTM		
59	Feeder 4	Gardu P552	Gardu P461	20	SUTM	A3C 150	242
60	Feeder 4	Gardu P461	Gardu P137	20	SUTM	A3C 150	235
61	Feeder 4	Gardu P137	Gardu P863	20	SUTM	A3C 70	140
62	Feeder 4	Gardu P863	Gardu P542	20	SUTM	A3C 70	280
63	Feeder 4	Gardu P542	Gardu P864	20	SUTM	A3C 70	436
57.2 (64)	Feeder 4	Percabangan 14	Gardu P338	20	SUTM	A3C 150	142
65	Feeder 4	Gardu P338	Gardu P691	20	SUTM	A3C 150	151
66	Feeder 4	Gardu P691	Gardu P862	20	SUTM	A3C 150	99
67	Feeder 4	Gardu P862	Percabangan 15 (P116)	20	SUTM	A3C 150	279
67.1 (68)	Feeder 4	Percabangan 15 (P116)	Gardu P393	20	SUTM	A3C 150	489
69	Feeder 4	Gardu P393	Gardu P070	20	SUTM	A3C 150	494
70	Feeder 4	Gardu P070	Jointing SKTM	20	SUTM	A3C 150	160
71	Feeder 4	Jointing SKTM	Gardu P520	20	SKTM	XLPE 240	191
67.2 (72)	Feeder 4	Percabangan 15 (P116)	Gardu P392	20	SUTM	A3C 150	624
73	Feeder 4	Gardu P392	Gardu P117	20	SUTM	A3C 150	730
74	Feeder 4	Gardu P117	Gardu P792	20	SUTM	A3C 70	682
75	Feeder 4	Gardu P792	Percabangan 16	20	SUTM		
75.1 (76)	Feeder 4	Percabangan 16	Gardu P967	20	SUTM		
75.2 (77)	Feeder 4	Percabangan 16	Percabangan 17	20	SUTM		
77.1 (78)	Feeder 4	Percabangan 17	Gardu P952	20	SUTM		
77.2 (79)	Feeder 4	Percabangan 17	Gardu P792	20	SUTM		
80	Feeder 4	Gardu P792	Gardu P452	20	SUTM	A3C 70	700
17.2 (81)	Feeder 4	GH Theresia	Tiang Awal 1	20	SKTM	XLPE 240	14
82	Feeder 4	Tiang Awal 2	Gardu P077	20	SUTM	A3C 150	733
83	Feeder 4	Gardu P077	Percabangan 18	20	SUTM	A3C 150	192
83.1 (84)	Feeder 4	Percabangan 18	Gardu P245	20	SUTM	A3C 70	172

83.2 (85)	Feeder 4	Percabangan 18	Gardu P670	20	SUTM	A3C 150	50
86	Feeder 4	Gardu P670	Gardu P1005	20	SUTM	A3C 150	52
87	Feeder 4	Gardu P1005	Gardu P368	20	SUTM	A3C 150	52
88	Feeder 4	Gardu P368	Percabangan 19	20	SUTM	A3C 150	53
88.1 (89)	Feeder 4	Percabangan 19	Tiang Akhir	20	SUTM	A3C 150	36
88.2 (90)	Feeder 4	Percabangan 19	Percabangan 20	20	SUTM	A3C 150	39
90.1 (91)	Feeder 4	Percabangan 20	Gardu P299	20	SUTM	A3C 70	32
90.2 (92)	Feeder 4	Percabangan 20	Percabangan 21 (P289)	20	SUTM	A3C 150	140
92.1 (93)	Feeder 4	Percabangan 21 (P289)	Gardu P541	20	SUTM	A3C 70	188
92.2 (94)	Feeder 4	Percabangan 21 (P289)	Percabangan 22	20	SUTM	A3C 150	88
94.1 (95)	Feeder 4	Percabangan 22	Gardu P369	20	SUTM	A3C 70	41
94.2 (96)	Feeder 4	Percabangan 22	Percabangan 23	20	SUTM	A3C 150	38
96.1 (97)	Feeder 4	Percabangan 23	Gardu P078	20	SUTM	A3C 70	42
98	Feeder 4	Gardu P078	Tiang Akhir	20	SUTM	A3C 70	48
96.2 (99)	Feeder 4	Percabangan 23	Gardu P408	20	SUTM	A3C 150	192
100	Feeder 4	Gardu P408	Percabangan 24 (P253)	20	SUTM	A3C 150	122
100.1 (101)	Feeder 4	Percabangan 24 (P253)	Percabangan 25 (P038)	20	SUTM	A3C 50	300
101.1 (102)	Feeder 4	Percabangan 25 (P038)	Gardu P1015	20	SUTM	A3C 150	131
103	Feeder 4	Gardu P1015	Gardu P327	20	SUTM	A3C 150	132
101.2 (104)	Feeder 4	Percabangan 25 (P038)	Gardu P601	20	SUTM	A3C 150	424
101.3 (105)	Feeder 4	Percabangan 25 (P038)	Gardu P491	20	SUTM	A3C 150	296
100.2 (106)	Feeder 4	Percabangan 24 (P253)	Percabangan 26 (P125)	20	SUTM	A3C 150	224
106.1 (107)	Feeder 4	Percabangan 26 (P125)	Gardu P859	20	SUTM	A3C 70	351
108	Feeder 4	Gardu P859	Gardu P444	20	SUTM	A3C 70	318
109	Feeder 4	Gardu P444	Gardu P1070	20	SUTM		
106.2 (110)	Feeder 4	Percabangan 26 (P125)	Gardu P704	20	SUTM	A3C 150	222
111	Feeder 4	Gardu P704	Gardu P265	20	SUTM	A3C 150	79
112	Feeder 4	Gardu P265	Gardu P410	20	SUTM	A3C 150	202
113	Feeder 4	Gardu P410	Gardu BTS	20	SUTM	A3C 150	98
114	Feeder 4	Gardu BTS	Percabangan 27	20	SUTM	A3C 150	99
114.1 (115)	Feeder 4	Percabangan 27	Gardu P539	20	SUTM	A3C 150	133
114.2 (116)	Feeder 4	Percabangan 27	Percabangan 28 (P039)	20	SUTM	A3C 150	103
116.1 (117)	Feeder 4	Percabangan 28 (P039)	Gardu P313	20	SUTM	A3C 150	449
118	Feeder 4	Gardu P313	Gardu P098	20	SUTM	A3C 150	403
119	Feeder 4	Gardu P098	Gardu P916	20	SUTM	A3C 150	55
120	Feeder 4	Gardu P916	Gardu P455	20	SUTM	A3C 150	111
116.2 (121)	Feeder 4	Percabangan 28 (P039)	Gardu P703	20	SUTM	A3C 150	105
122	Feeder 4	Gardu P703	Percabangan 29	20	SUTM	A3C 150	136

122.1 (123)	Feeder 4	Percabangan 29	ACR Parit 6 (Arah PP05)	20	SUTM	A3C 150	1
122.2 (124)	Feeder 4	Percabangan 29	Gardu P968	20	SUTM		
17.3 (125)	Feeder 4	GH Theresia	Tiang Awal	20	SKTM	XLPE 240	52
126	Feeder 4	Tiang Awal	Percabangan 30	20	SUTM	A3C 150	305
126.1 (127)	Feeder 4	Percabangan 30	Gardu P348	20	SUTM	A3C 70	5
126.2 (128)	Feeder 4	Percabangan 30	Gardu P806	20	SUTM	A3C 150	59
129	Feeder 4	Gardu P806	Gardu P019	20	SUTM	A3C 150	159
130	Feeder 4	Gardu P019	Percabangan 31	20	SUTM	A3C 150	47
130.1 (131)	Feeder 4	Percabangan 31	Gardu P455	20	SUTM	A3C 70	89
130.2 (132)	Feeder 4	Percabangan 31	Percabangan 32	20	SUTM	A3C 150	109
132.1 (133)	Feeder 4	Percabangan 32	Gardu BTS XL	20	SUTM	A3C 70	117
134	Feeder 4	Gardu P402	Gardu BTS TSEL	20	SUTM	A3C 150	109
132.2 (135)	Feeder 4	Percabangan 32	Gardu P402	20	SUTM	A3C 150	105
136	Feeder 4	Gardu P402	Gardu P Mandiri	20	SUTM	A3C 150	53
137	Feeder 4	Gardu P Mandiri	Percabangan 33 (P059)	20	SUTM	A3C 150	66
137.1 (138)	Feeder 4	Percabangan 33 (P059)	Gardu P416	20	SUTM	A3C 70	214
137.2 (139)	Feeder 4	Percabangan 33 (P059)	Gardu P210	20	SUTM	A3C 150	351
140	Feeder 4	Gardu P210	Gardu P986	20	SUTM	A3C 70	133
141	Feeder 4	Gardu P986	Gardu P439	20	SUTM	A3C 70	133
137.3 (142)	Feeder 4	Percabangan 33 (P059)	Percabangan 34	20	SUTM	A3C 150	140
142.1 (143)	Feeder 4	Percabangan 34	Gardu P733	20	SUTM	A3C 70	250
142.2 (144)	Feeder 4	Percabangan 34	Gardu P312	20	SUTM	A3C 150	205
145	Feeder 4	Gardu P312	Gardu 437	20	SUTM	A3C 70	193

## PENYULANG F7

No	Nama Penyulang	Gardu / Keypoint / Percabangan		Tegangan (kV)	Saluran SUTM/ SKTM	Jenis Penghantar	Panjang Meter
		Asal	Tujuan				
	1	2	3	4	5	6	7
0	Feeder 7	GI Kampak	GH Sumber Rejo	20	SKTM	XLPE 240	4651
1	Feeder 7	GH Sumber Rejo	Percabangan 1	20	SKTM	XLPE 240	2372
1.1 (2)	Feeder 7	Percabangan 1	Percabangan 2	20	SKTM	XLPE 240	5
2.1 (3)	Feeder 7	Percabangan 2	Gardu Ramayana	20	SKTM	XLPE 240	116
2.2 (4)	Feeder 7	Percabangan 2	Gardu BTC	20	SKTM	XLPE 240	288

1.2 (5)	Feeder 7	Percabangan 1	Jointing SUTM	20	SKTM	XLPE 240	5
6	Feeder 7	Jointing SUTM	Jointing SKTM	20	SUTM	A3C 70	21
7	Feeder 7	Jointing SKTM	GH Arsani	20	SKTM	XLPE 240	115
7.1 (8)	Feeder 7	GH Arsani	Apartemen Arsani	20	SKTM	XLPE 240	99
7.2 (9)	Feeder 7	GH Arsani	Jointing SUTM	20	SKTM	XLPE 240	5
10	Feeder 7	Jointing SUTM	Jointing SKTM	20	SUTM	A3C 70	32
11	Feeder 7	Jointing SKTM	Gardu Puncak Mall	20	SKTM	XLPE 240	32

## PENYULANG F8

No	Nama Penyulang	Gardu / Keypoint / Percabangan		Tegangan (kV)	Saluran SUTM/SKTM	Jenis Penghantar	Panjang Meter
		Asal	Tujuan				
	1	2	3	4	5	6	7
0	Feeder 8	GI Kampak	Tiang Awal	20	SKTM	XLPE 240	72
1	Feeder 8	Tiang Awal	Percabangan 1	20	SUTM	A3C 70	643
1.1 (2)	Feeder 8	Percabangan 1	Percabangan 2	20	SUTM		
2.1 (3)	Feeder 8	Percabangan 2	Gardu P935	20	SUTM		
2.2 (4)	Feeder 8	Percabangan 2	Gardu P1069	20	SUTM		
1.2 (5)	Feeder 8	Percabangan 1	Gardu P121	20	SUTM	A3C 70	2572
6	Feeder 8	Gardu P121	Percabangan 3 (P001)	20	SUTM	A3C 240	298
6.1 (7)	Feeder 8	Percabangan 3 (P001)	Gardu P120	20	SUTM	A3C 240	340
6.2 (8)	Feeder 8	Percabangan 3 (P001)	Percabangan 4 (P094)	20	SUTM	A3C 240	209
8.1 (9)	Feeder 8	Percabangan 4 (P094)	Gardu P248	20	SUTM	A3C 240	132
8.2 (10)	Feeder 8	Percabangan 4 (P094)	Gardu P225	20	SUTM	A3C 240	121
11	Feeder 8	Gardu P225	Gardu P1006		SUTM	A3C 240	87
12	Feeder 8	Gardu P1006	Gardu P318	20	SUTM	A3C 240	87
13	Feeder 8	Gardu P318	LBS Karya Bakti (Arah Filipina)	20	SUTM	A3C 240	42
6.3 (14)	Feeder 8	Percabangan 3 (P001)	Percabangan 5 (P014)	20	SUTM	A3C 240	159
14.1 (15)	Feeder 8	Percabangan 5 (P014)	Gardu P425	20	SUTM	A3C 150	301
16	Feeder 8	Gardu P425	Jointing	20	SUTM	A3C 150	169
17	Feeder 8	Jointing	Jointing	20	SUTM	A3C 70	52
18	Feeder 8	Jointing	Percabangan 6 (P075)	20	SUTM	A3C 150	90
18.1 (19)	Feeder 8	Percabangan 6 (P075)	Gardu P320	20	SUTM	A3C 240	187
18.2 (20)	Feeder 8	Percabangan 6 (P075)	Jointing	20	SUTM	A3C 150	203
21	Feeder 8	Jointing	Percabangan 7	20	SUTM	A3C 70	45
21.1 (22)	Feeder 8	Percabangan 7	Gardu P876	20	SUTM	A3C 240	93
23	Feeder 8	Gardu P876	Gardu P484	20	SUTM	A3C 240	186
21.2 (24)	Feeder 8	Percabangan 7	Gardu P695	20	SUTM	A3C 150	53

25	Feeder 8	Gardu P695	Jointing	20	SUTM	A3C 150	105
26	Feeder 8	Jointing	LBS Bukit Merapin (Arah F1)	20	SUTM	A3C 150	100
21.3 (27)	Feeder 8	Percabangan 7	LBS Rambutan (Arah PP01)	20	SUTM	A3C 150	1
14.2 (28)	Feeder 8	Percabangan 5 (P014)	Gardu P694	20	SUTM	A3C 150	304
29	Feeder 8	Gardu P694	LBS A Yani	20	SUTM	A3C 150	125
30	Feeder 8	LBS A Yani	Percabangan 8 (P467)	20	SUTM	A3C 150	185
30.1 (31)	Feeder 8	Percabangan 8 (P467)	Gardu P678	20	SUTM	A3C 150	15
30.2 (32)	Feeder 8	Percabangan 8 (P467)	Percabangan 9	20	SUTM	A3C 150	230
32.1 (33)	Feeder 8	Percabangan 9	Gardu P016	20	SUTM	A3C 150	81
34	Feeder 8	Gardu P016	Gardu P316	20	SUTM	A3C 150	82
35	Feeder 8	Gardu P316	Gardu P1008	20	SUTM	A3C 150	314
36	Feeder 8	Gardu P1008	Percabangan 10 (P399)	20	SUTM	A3C 150	157
36.1 (37)	Feeder 8	Percabangan 10 (P399)	Gardu P091	20	SUTM	A3C 150	240
38	Feeder 8	Gardu P091	Gardu 438	20	SUTM	A3C 240	285
36.2 (39)	Feeder 8	Percabangan 10 (P399)	Gardu P032	20	SUTM	A3C 150	115
40	Feeder 8	Gardu P032	Gadu P464	20	SUTM	A3C 150	199
41	Feeder 8	Gadu P464	Jointing	20	SUTM	A3C 150	303
42	Feeder 8	Jointing	Gardu P465	20	SUTM	A3C 240	4
32.2 (43)	Feeder 8	Percabangan 9	LBS 3 Way A. Yani	20	SUTM	A3C 240	1
44	Feeder 8	LBS 3 Way A. Yani	Percabangan 11	20	SUTM	A3C 240	58
44.1 (45)	Feeder 8	Percabangan 11	Gardu P918	20	SUTM		
44.2 (46)	Feeder 8	Percabangan 11	Gardu P990	20	SUTM	A3C 150	350
47	Feeder 8	Gardu P990	Gardu P672	20	SUTM	A3C 240	162
48	Feeder 8	Gardu P672	Gardu P287	20	SUTM	A3C 240	237
49	Feeder 8	Gardu P287	Gardu P1007	20	SUTM	A3C 240	100
50	Feeder 8	Gardu P1007	Gardu P018	20	SUTM	A3C 240	101
51	Feeder 8	Gardu P018	Gardu P914	20	SUTM	A3C 70	154
52	Feeder 8	Gardu P914	Percabangan 12	20	SUTM	A3C 70	76
52.1 (53)	Feeder 8	Percabangan 12	Gardu P913	20	SUTM	A3C 150	111
52.2 (54)	Feeder 8	Percabangan 12	Gardu P574	20	SUTM	A3C 240	59
55	Feeder 8	Gardu P574	Gardu P805	20	SUTM	A3C 70	58
56	Feeder 8	Gardu P805	Gardu P051	20	SUTM	A3C 70	37
32.2 (57)	Feeder 8	Percabangan 9	LBS DKT (Arah F1)	20	SUTM	A3C 150	84

## PENYULANG F9

No	Nama Penyulang	Gardu / Keypoint / Percabangan		Tegangan (kV)	Saluran SUTM/ SKTM	Jenis Penghantar	Panjang Meter
		Asal	Tujuan				
	1	2	3	4	5	6	7
0	Feeder 9	GI Kampak	Tiang Awal	20	SKTM	XLPE 240	62

1	Feeder 9	Tiang Awal	Percabangan 1	20	SUTM	A3C 70	3135
1.1 (2)	Feeder 9	Percabangan 1	Gardu P927	20	SUTM		
1.2 (3)	Feeder 9	Percabangan 1	Percabangan 2	20	SUTM	A3C 70	3135
3.1 (4)	Feeder 9	Percabangan 2	Tiang akhir GH	20	SUTM	A3C 70	299
5	Feeder 9	Tiang akhir GH	GH Theresia	20	SKTM	XLPE 240	53
3.2 (6)	Feeder 9	Percabangan 2	Percabangan 3	20	SUTM	A3C 70	510
6.1 (7)	Feeder 9	Percabangan 3	Tiang Akhir	20	SUTM	A3C 70	352
6.2 (8)	Feeder 9	Percabangan 3	Gardu P904	20	SUTM	A3C 70	3559
9	Feeder 9	Gardu P904	Percabangan 4	20	SUTM	A3C 70	3559
9.1 (10)	Feeder 9	Percabangan 4	LBS SPBU Kejora (Arah PP05)	20	SUTM	A3C 50	177
9.2 (11)	Feeder 9	Percabangan 4	Percabangan 5 (P113)	20	SUTM	A3C 150	239
11.1 (12)	Feeder 9	Percabangan 5 (P113)	Gardu P065 (CENTRINDO)	20	SKTM	A3C 150	243
11.2 (13)	Feeder 9	Percabangan 5 (P113)	Percabangan 6	20	SUTM	A3C 150	356
14		Percabangan 6	LBS Kejora (Arah Indonesia)	20	SUTM		
15	Feeder 9	Percabangan 6	Percabangan 7	20	SUTM	A3C 35	56
15.1 (16)	Feeder 9	Percabangan 7	LBS Aston	20	SUTM	A3C 150	44
17	Feeder 9	LBS Aston	Gardu Aston Sol Marina	20	SKTM		
15.1 (18)	Feeder 9	Percabangan 7	Percabangan 8	20	SUTM	A3C 150	643
18.1 (19)	Feeder 9	Percabangan 8	Gardu BTS (P603)	20	SUTM	A3C 70	64
18.2 (20)	Feeder 9	Percabangan 8	Gardu P114	20	SUTM	A3C 150	242
21	Feeder 9	Gardu P114	Percabangan 9	20	SUTM	A3C 150	80
21.1 (22)	Feeder 9	Percabangan 9	Gardu P611	20	SUTM	A3C 150	401
21.2 (23)	Feeder 9	Percabangan 9	Gardu P572	20	SUTM	A3C 150	491
24	Feeder 9	Gardu P572	LBS Kp.Jeruk	20	SUTM	A3C 150	945
25	Feeder 9	LBS Kp.Jeruk	Percabangan 10 (Gardu P081)	20	SUTM	A3C 150	515
25.1 (26)	Feeder 9	Percabangan 10 (Gardu P081)	Jointing (Gardu P961)	20	SUTM	A3C 150	36
27	Feeder 9	Jointing (Gardu P961)	LBS Sambong (Arah Indonesia)	20	SUTM	A3C 70	242
26.2 (28)	Feeder 9	Percabangan 10 (Gardu P081)	Percabangan 11	20	SUTM	A3C 150	160
28.1 (29)	Feeder 9	Percabangan 11	BTS (Gardu P759)	20	SUTM	A3C 70	129
28.2 (30)	Feeder 9	Percabangan 11	Gardu P122	20	SUTM	A3C 150	273
31	Feeder 9	Gardu P122	Gardu P975	20	SUTM	A3C 150	385
32	Feeder 9	Gardu P975	Percabangan 12 (Gardu P230)	20	SUTM	A3C 150	384
32.1 (33)	Feeder 9	Percabangan 12 (Gardu P230)	Gardu P861	20	SUTM	A3C 150	499
32.2 (34)	Feeder 9	Percabangan 12 (Gardu P230)	Percabangan 13 (Gardu P082)	20	SUTM	A3C 150	152
34.1 (35)	Feeder 9	Percabangan 13 (Gardu P082)	FCO	20	SUTM	A3C 150	1
36		FCO	Gardu P421	20	SUTM	A3C 150	223
34.2 (37)	Feeder 9	Percabangan 13 (Gardu P082)	FCO	20	SUTM	A3C 70	1
38		FCO	Gardu P533	20	SUTM	A3C 70	616
39	Feeder 9	Gardu P533	Gardu P942	20	SUTM		



34.3 (40)	Feeder 9	Percabangan 13 (Gardu P082)	Gardu P989	20	SUTM	A3C 150	250
41	Feeder 9	Gardu P989	Gardu P814	20	SUTM	A3C 150	768
42	Feeder 9	Gardu P814	Gardu P161	20	SUTM	A3C 150	417
43	Feeder 9	Gardu P161	LBS Air Mesu	20	SUTM	A3C 150	55
44	Feeder 9	LBS Air Mesu	Gardu P260	20	SUTM	A3C 150	646
45	Feeder 9	Gardu P260	Gardu P553	20	SUTM	A3C 150	1741
46	Feeder 9	Gardu P553	Gardu P155	20	SUTM	A3C 150	554
47	Feeder 9	Gardu P155	Gardu P684	20	SUTM	A3C 150	596
48	Feeder 9	Gardu P684	Gardu P799	20	SUTM	A3C 150	139
49	Feeder 9	Gardu P799	Gardu P650	20	SUTM	A3C 150	240
50	Feeder 9	Gardu P650	Percabangan 14	20	SUTM	A3C 150	1243
50.1 (51)	Feeder 9	Percabangan 14	Gardu P1040	20	SUTM		
50.2 (52)	Feeder 9	Percabangan 14	Percabangan 15	20	SUTM	A3C 150	950
52.1 (53)	Feeder 9	Percabangan 15	Gardu P761	20	SUTM	A3C 150	1473
52.2 (54)	Feeder 9	Percabangan 15	Gardu P195	20	SUTM	A3C 150	730
55	Feeder 9	Gardu P195	Gardu P156	20	SUTM	A3C 150	532
56	Feeder 9	Gardu P156	Gardu PBTS	20	SUTM	A3C 150	369
57	Feeder 9	Gardu PBTS	Gardu P606	20	SUTM	A3C 150	396
58	Feeder 9	Gardu P606	ACR Namang	20	SUTM	A3C 150	860
59	Feeder 9	ACR Namang	Gardu P590	20	SUTM	A3C 150	1825
60	Feeder 9	Gardu P590	Gardu P605	20	SUTM	A3C 150	696
61	Feeder 9	Gardu P605	Gardu P288	20	SUTM	A3C 150	322
62	Feeder 9	Gardu P288	Gardu P157	20	SUTM	A3C 150	667
63	Feeder 9	Gardu P157	Gardu P513	20	SUTM	A3C 150	285
64	Feeder 9	Gardu P513	Gardu P686	20	SUTM	A3C 150	684
65	Feeder 9	Gardu P686	Gardu P158	20	SUTM	A3C 150	805
66	Feeder 9	Gardu P158	Gardu P197	20	SUTM	A3C 150	318
67	Feeder 9	Gardu P197	Percabangan 16	20	SUTM	A3C 150	300
67.1 (68)	Feeder 9	Percabangan 16	FCO MAKOREM	20	SUTM	A3C 150	187
69	Feeder 9	FCO MAKOREM	Gardu P856	20	SUTM	A3C 70	2879
70	Feeder 9	Gardu P856	Percabangan 17	20	SUTM	A3C 70	1968
70.1 (71)	Feeder 9	Percabangan 17	Gardu P610	20	SUTM	A3C 70	996
70.2 (72)	Feeder 9	Percabangan 17	Gardu P768	20	SUTM	A3C 70	353
67.2 (73)	Feeder 9	Percabangan 16	Gardu P548	20	SUTM	A3C 150	192
74	Feeder 9	Gardu P548	Gardu P928	20	SUTM	A3C 150	1125
75	Feeder 9	Gardu P928	Gardu P159	20	SUTM	A3C 150	1125
76	Feeder 9	Gardu P159	Gardu P502	20	SUTM	A3C 150	537
77	Feeder 9	Gardu P502	FCO POS AL	20	SUTM	A3C 150	202
78	Feeder 9	FCO POS AL	Percabangan 18 (Gardu P160)	20	SUTM	A3C 150	202
78.1 (79)	Feeder 9	Percabangan 18 (Gardu P160)	Gardu P1023	20	SUTM		
78.2 (80)	Feeder 9	Percabangan 18 (Gardu P160)	Percabangan 19 (Gardu P380)	20	SUTM	A3C 150	423
80.1 (81)	Feeder 9	Percabangan 19 (Gardu P380)	Gardu P1051	20	SUTM		
80.2 (82)	Feeder 9	Percabangan 19 (Gardu P380)	Percabangan 20	20	SUTM	A3C 150	58
82.1 (83)	Feeder 9	Percabangan 20	BTS XL (Gardu P595)	20	SUTM	A3C 70	28
82.2 (84)	Feeder 9	Percabangan 20	Percabangan 21	20	SUTM	A3C 150	584

84.1 (85)	Feeder 9	Percabangan 21	Gardu P Telkomsel	20	SUTM	A3C 70	15
84.2 (86)	Feeder 9	Percabangan 21	Penyak Mulia (Gardu P191)	20	SUTM	A3C 150	4761
87	Feeder 9	Penyak Mulia (Gardu P191)	Metering Outfit	20	SUTM	A3C 150	4390
88	Feeder 9	Metering Outfit	LBS Penyak (Arah KB2)	20	SUTM	A3C 150	50

## PENYULANG F10

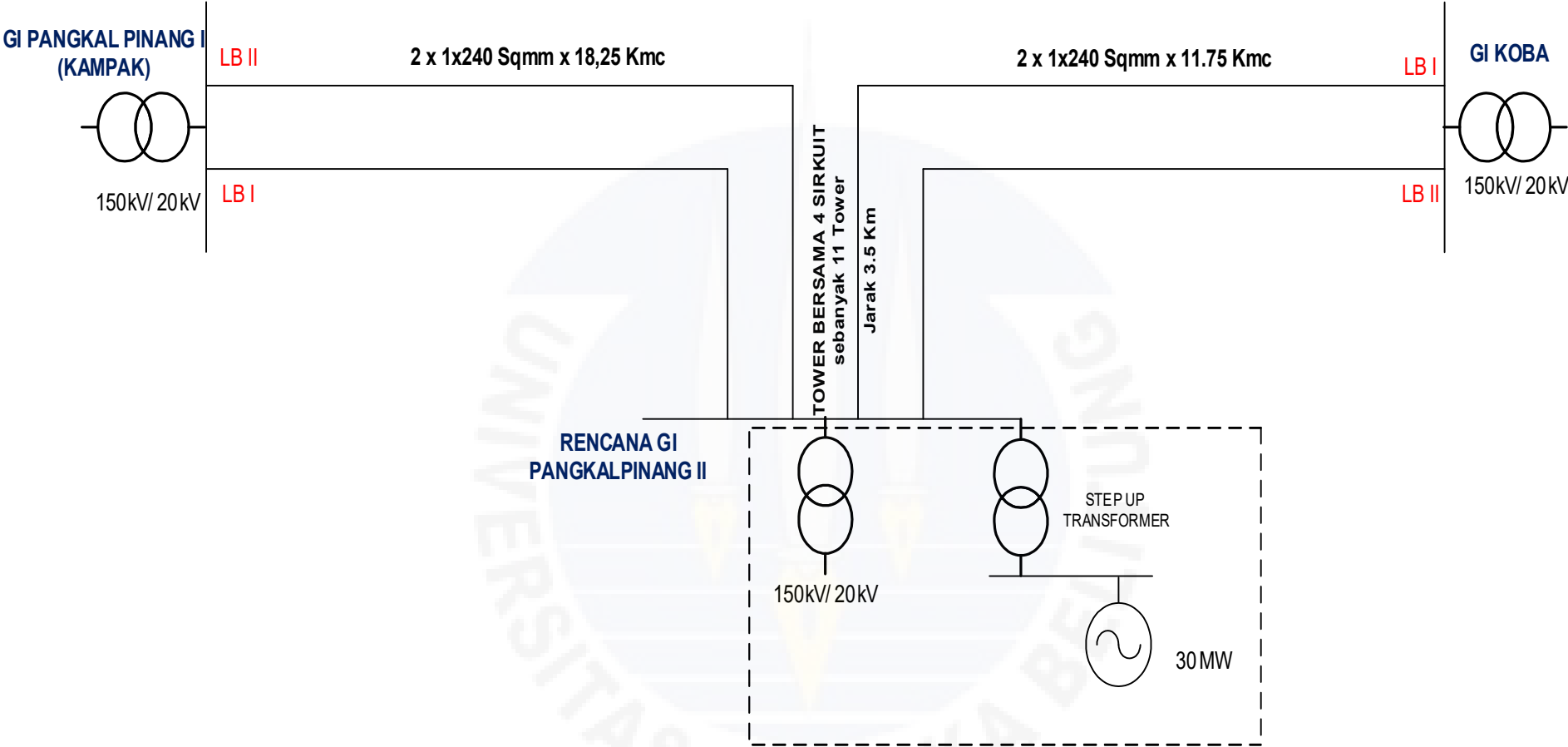
No	Nama Penyulang	Gardu / Keypoint / Percabangan		Tegangan (kV)	Saluran SUTM/ SKTM	Jenis Penghantar	Panjang Meter
		Asal	Tujuan				
	1	2	3	4	5	6	7
0	Feeder 10	GI Kampak	Tiang awal	20	SKTM	XLPE 240	59
1	Feeder 10	Tiang awal	Jointing	20	SUTM	A3C 240	1926
2	Feeder 10	Jointing	Percabangan 1	20	SUTM	A3C 70	87
2.1 (3)	Feeder 10	Percabangan 1	LBS	20	SUTM		
2.2 (4)	Feeder 10	Percabangan 1	Gardu P825	20	SUTM	A3C 70	370
5	Feeder 10	Gardu P825	Percabangan 2 (Gardu P522)	20	SUTM	A3C 70	628
5.1 (6)	Feeder 10	Percabangan 2 (Gardu P522)	Jointing	20	SUTM	A3C 70	526
7	Feeder 10	Jointing	Gardu P720	20	SUTM	A3C 240	35
8	Feeder 10	Gardu P720	Gardu P787	20	SUTM		
5.2 (9)	Feeder 10	Percabangan 2 (Gardu P522)	Gardu P981	20	SUTM		
10	Feeder 10	Gardu P981	Percabangan 3	20	SUTM	A3C 70	311
10.1 (11)	Feeder 10	Percabangan 3	Gardu P953	20	SUTM		
10.2 (12)	Feeder 10	Percabangan 3	Gardu P887	20	SUTM	A3C 240	2401
13	Feeder 10	Gardu P887	Percabangan 4	20	SUTM	A3C 240	885
13.1 (14)	Feeder 10	Percabangan 4	Tiang akhir	20	SUTM		
13.2 (15)	Feeder 10	Percabangan 4	LBS Hayati	20	SUTM	A3C 150	1380
16	Feeder 10	LBS Hayati	Percabangan 5	20	SUTM	A3C 150	1380
16.1 (17)	Feeder 10	Percabangan 5	Gardu P727	20	SUTM		
18	Feeder 10	Gardu P727	Gardu No label	20	SUTM		
16.2 (19)	Feeder 10	Percabangan 5	Gardu P668	20	SUTM	A3C 240	305
20	Feeder 10	Gardu P668	Gardu P972	20	SUTM	A3C 240	255
21	Feeder 10	Gardu P972	Percabangan 6	20	SUTM	A3C 240	255
21.1 (22)	Feeder 10	Percabangan 6	Gardu BTS	20	SUTM	A3C 70	14
21.2 (23)	Feeder 10	Percabangan 6	Gardu SPBU KACE	20	SUTM	A3C 240	51
24	Feeder 10	Gardu SPBU KACE	Percabangan 7	20	SUTM	A3C 240	981
24.1 (25)	Feeder 10	Percabangan 7	Gardu P732	20	SUTM	A3C 150	365
24.2 (26)	Feeder 10	Percabangan 7	Gardu P424	20	SUTM	A3C 240	1372
27	Feeder 10	Gardu P424	Gardu P061	20	SUTM	A3C 240	502
28	Feeder 10	Gardu P061	Percabangan 8	20	SUTM	A3C 240	1249
28.1 (29)	Feeder 10	Percabangan 8	Gardu P979	20	SUTM	A3C 240	1249
28.2 (30)	Feeder 10	Percabangan 8	Gardu P309	20	SUTM	A3C 240	1200
31	Feeder 10	Gardu P309	Gardu P586	20	SUTM	A3C 240	955

32	Feeder 10	Gardu P586	Gardu P823	20	SUTM	A3C 240	746
33	Feeder 10	Gardu P823	Percabangan 9	20	SUTM	A3C 240	52
33.1 (34)	Feeder 10	Percabangan 9	Gardu P980	20	SUTM		
33.2 (35)	Feeder 10	Percabangan 9	Gardu P220	20	SUTM	A3C 240	103
36	Feeder 10	Gardu P220	Percabangan 10	20	SUTM	A3C 240	290
36.1 (37)	Feeder 10	Percabangan 10	Gardu P427	20	SUTM	A3C 150	324
36.2 (38)	Feeder 10	Percabangan 10	Percabangan 11 (Gardu P105)	20	SUTM	A3C 240	186
38.1 (39)	Feeder 10	Percabangan 11 (Gardu P105)	LBS Manual Petaling (NC)	20	SUTM	A3C 150	243
40	Feeder 10	LBS Manual Petaling (NC)	Gardu P342	20	SUTM	A3C 150	9302
41	Feeder 10	Gardu P342	Gardu BTS	20	SUTM	A3C 150	773
42	Feeder 10	Gardu BTS	Gardu P151	20	SUTM	A3C 150	111
43	Feeder 10	Gardu P151	Percabangan 12	20	SUTM	A3C 150	408
43.1 (44)	Feeder 10	Percabangan 12	Gardu BTS	20	SUTM	A3C 70	41
43.2 (45)	Feeder 10	Percabangan 12	Gardu P688	20	SUTM	A3C 150	217
47	Feeder 10	Jointing	LBS Manual Mendo	20	SUTM	A3C 50	471
48	Feeder 10	LBS Manual Mendo	Percabangan 13 (Gardu P211)	20	SUTM	A3C 50	6084
48.1 (49)	Feeder 10	Percabangan 13 (Gardu P211)	Gardu BTS (Gardu P742)	20	SUTM	A3C 50	91
50	Feeder 10	Gardu BTS (Gardu P742)	Gardu P....	20	SUTM		
48.2 (51)	Feeder 10	Percabangan 13 (Gardu P211)	Gardu P689	20	SUTM	A3C 70	308
52	Feeder 10	Gardu P689	FCO	20	SUTM	A3C 70	4085
53	Feeder 10	FCO	Gardu P664	20	SUTM	A3C 70	4086
54	Feeder 10	Gardu P664	Percabangan 14	20	SUTM	A3C 70	2746
54.1 (55)	Feeder 10	Percabangan 14	Labu (Gardu P665)	20	SUTM	A3C 70	2746
54.2 (56)	Feeder 10	Percabangan 14	Air Pandan (Gardu P666)	20	SUTM	A3C 70	2458
38.2 (57)	Feeder 10	Percabangan 11 (Gardu P105)	Gardu P992	20	SUTM	A3C 150	177
58	Feeder 10	Gardu P992	Polsek Petaling (Gardu P643)	20	SUTM	A3C 150	177
59	Feeder 10	Polsek Petaling (Gardu P643)	Percabangan 15	20	SUTM	A3C 150	100
59.1 (60)	Feeder 10	Percabangan 15	Gardu PT.Kartini Utama (P906)	20	SKTM		
59.2 (61)	Feeder 10	Percabangan 15	ACR Kemuja	20	SUTM	A3C 150	100
62	Feeder 10	ACR Kemuja	Percabangan 16 (Gardu P146)	20	SUTM		
62.1 (63)	Feeder 10	Percabangan 16 (Gardu P146)	Gardu P676	20	SUTM	A3C 150	367
64	Feeder 10	Gardu P676	Pesantren (Gardu P677)	20	SUTM	A3C 150	57
62.2 (65)	Feeder 10	Percabangan 16 (Gardu P146)	Gardu 141	20	SUTM	A3C 150	277
66	Feeder 10	Gardu P141	Gardu P1013	20	SUTM	A3C 150	143
67	Feeder 10	Gardu P1013	Gardu P559	20	SUTM	A3C 150	143
68	Feeder 10	Gardu P559	Gardu P302	20	SUTM	A3C 150	368

69	Feeder 10	Gardu P302	Gardu PBTS	20	SUTM	A3C 150	720
70	Feeder 10	Gardu PBTS	Gardu P147	20	SUTM	A3C 150	1345
71	Feeder 10	Gardu P147	Gardu P140	20	SUTM	A3C 150	188
72	Feeder 10	Gardu P140	Gardu P888	20	SUTM	A3C 150	266
73	Feeder 10	Gardu P888	Jointing	20	SUTM	A3C 150	115
74	Feeder 10	Jointing	Jointing	20	SUTM	A3C 70	1515
75	Feeder 10	Jointing	LBS	20	SUTM	A3C 150	4038
76	Feeder 10	LBS	Gardu P713	20	SUTM	A3C 70	106
77	Feeder 10	Gardu P713	Percabangan 17	20	SUTM	A3C 70	1018
77.1 (78)	Feeder 10	Percabangan 17	LBS Puding (Arah PP4)	20	SUTM		
77.2 (79)	Feeder 10	Percabangan 17	Gardu P1011	20	SUTM	A3C 150	1500
80	Feeder 10	Gardu P1011	LBS SMP	20	SUTM	A3C 150	1500
81	Feeder 10	LBS SMP	Gardu PT Aspal (P no label)	20	SUTM	A3C 150	1500
82	Feeder 10	Gardu PT Aspal (P no label)	Gardu P593	20	SUTM	A3C 150	1500
83	Feeder 10	Gardu P593	Gardu P148	20	SUTM	A3C 150	314
84	Feeder 10	Gardu P148	Gardu P485	20	SUTM	A3C 150	259
85	Feeder 10	Gardu P485	Gardu P1012	20	SUTM	A3C 150	1249
86	Feeder 10	Gardu P1012	Percabangan 18	20	SUTM	A3C 150	1297
86.1 (87)	Feeder 10	Percabangan 18	Gardu BTS XL	20	SUTM		
86.2 (88)	Feeder 10	Percabangan 18	Gardu P149	20	SUTM	A3C 150	1298
89	Feeder 10	Gardu P149	Gardu P575	20	SUTM	A3C 150	383
90	Feeder 10	Gardu P575	Percabangan 19 (Gardu P228)	20	SUTM	A3C 150	2318
90.1 (91)	Feeder 10	Percabangan 19 (Gardu P228)	MO	20	SUTM		
92	Feeder 10	MO	LBS Dalil (Arah Kelapa Dalil)	20	SUTM		
90.2 (93)	Feeder 10	Percabangan 19 (Gardu P228)	CO Jaringan	20	SUTM	A3C 150	287
94	Feeder 10	CO Jaringan	Percabangan 20	20	SUTM	A3C 150	287
95	Feeder 10	Percabangan 20	Gardu P843	20	SUTM	A3C 70	115
96	Feeder 10	Percabangan 20	Gardu P844	20	SUTM	A3C 70	5397

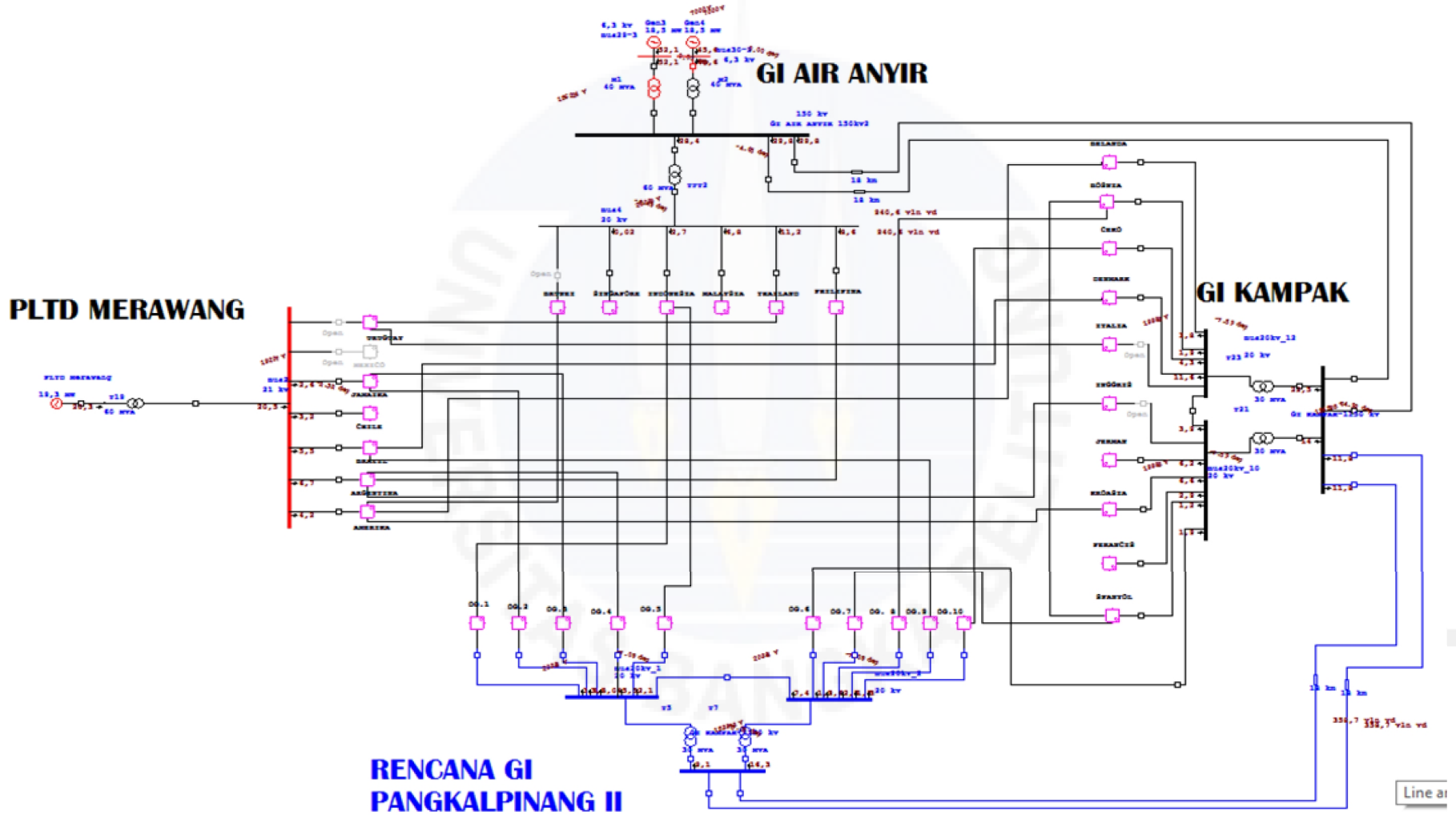


LAMPIRAN 6. *Single Line Transmisi Rayon Pangkalpinang*





# " SISTEM KELISTRIKAN PULAU BANGKA "



### LAMPIRAN 11. Diagram Alir Perhitungan Investasi

